



CB 425

LIST OF THE EXPLODED VIEWS



SHELL ASSY

COOLING SYSTEM

HYDRAULIC CIRCUIT

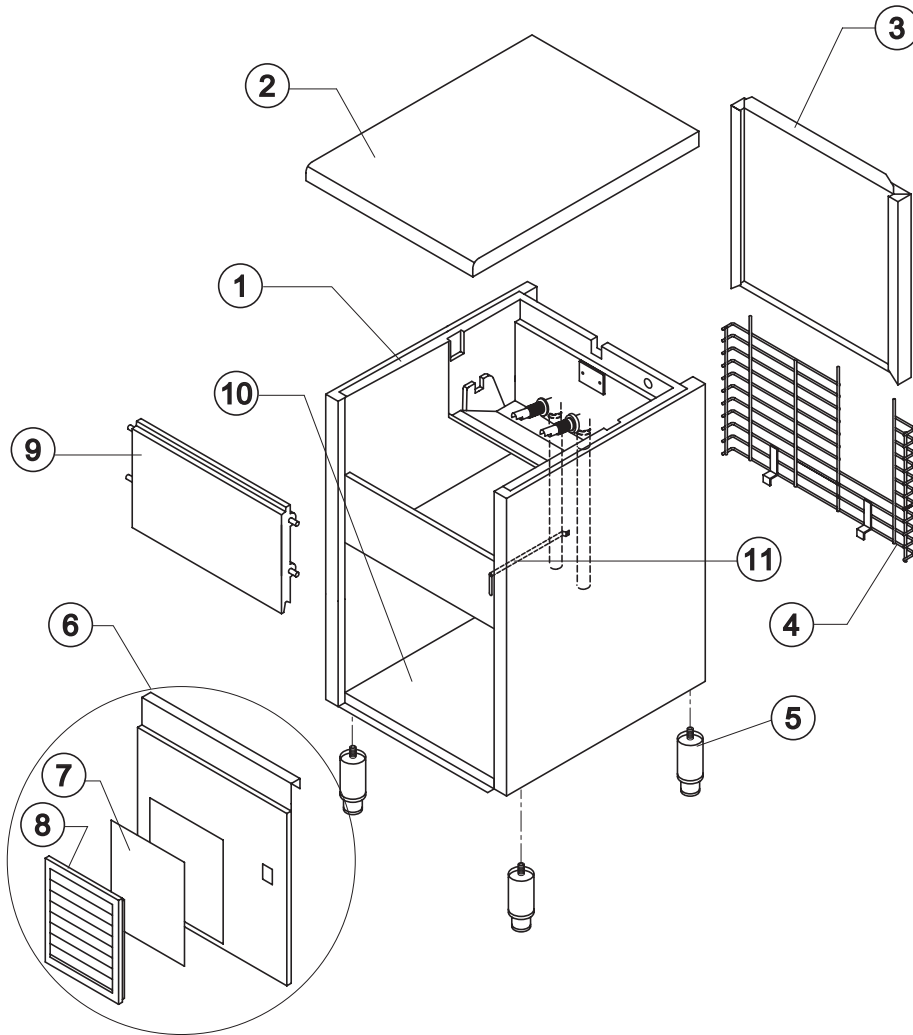
ELECTRIC PARTS

Rev. 9 - 17/06/2011



CB 425

SHELL ASSY



Ref.	Spare Description	Code
1	Foamed Cabinet Assy	See Table
2	Top Assembly	C22692
3	Rear Panel Assembly	C21183
4	Rear Grid	D12006
5	Foot	20613
6	Front Grid Panel	C22508
7*	Filtering Panel	18106
8	Frame + Grid & Filter	C10205
9	Door Assembly	C10297
10	Base Plate	21279
11	Bulb-holder Pipe	20522

Ref. 1 - Foamed Cabinet Assy

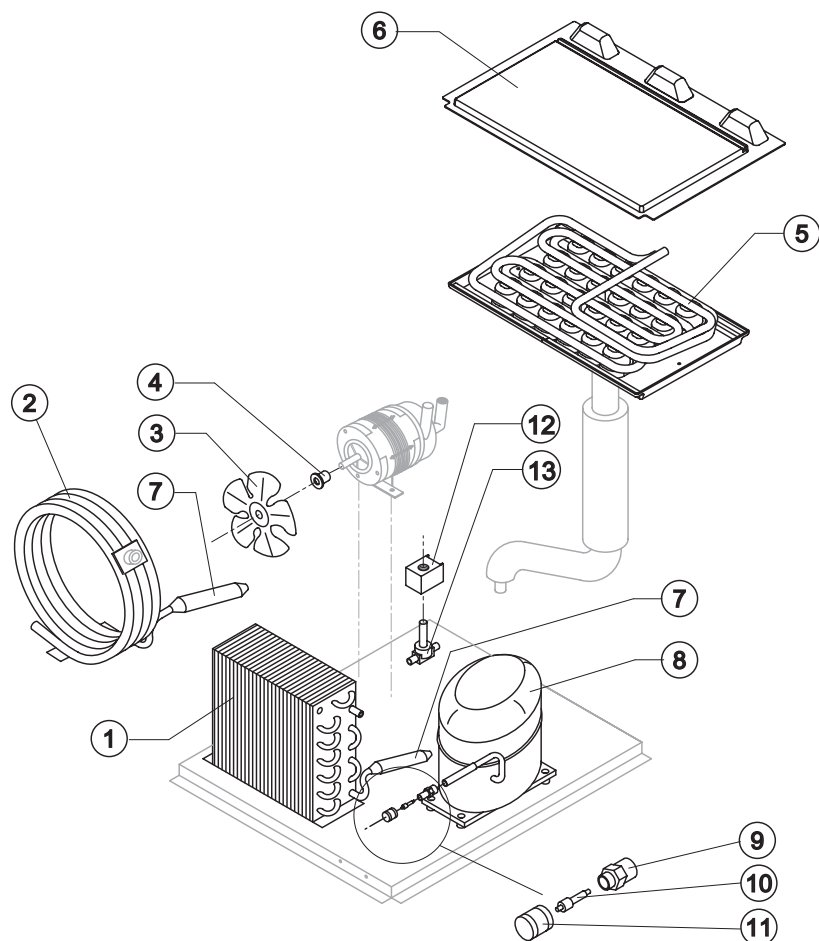
Condensation	Code
Air	RC11014A
Water	RC11014W

Rev. 9 - 17/06/2011



CB 425

COOLING SYSTEM



Common Parts

Ref.	Spare Description	Code
3	Sucking Fan	10213
4	Fan Fixing Hub	10014
5	Evaporator	See Table
6	Evaporator Cover Panel	Current Version
6	Evaporator Cover Panel	TiIL s/n. 224530
7*	Molecular Drier	14009
8	Compressor	Vedi Tabella
9	Vacuum-Charge Valve Body	14007
10*	Vacuum-Charge Valve Device	14005
11*	Vacuum-Charge Valve Plug	14006
12*	Hot Gas Valve Coil	See Table
13*	Hot Gas Valve Body	20410

Parts for Air Cooled Version Only

Ref.	Spare Description	Code
1	Air Condenser	20019

Parts for Water Cooled Version Only

Ref.	Spare Description	Code
2	Water Condenser	14374

Ref. 5 - Evaporator

Kind of Cube	Code
18 g. (Standard)	D10046
33 g.	D10089
13 g.	D10417
42 g.	D10465

Ref. 8 - Compressor

Voltage	Code
T11	23505A
T12	23495A
T13	23678
T19	23678

Ref. 12* - Hot Gas Valve Coil

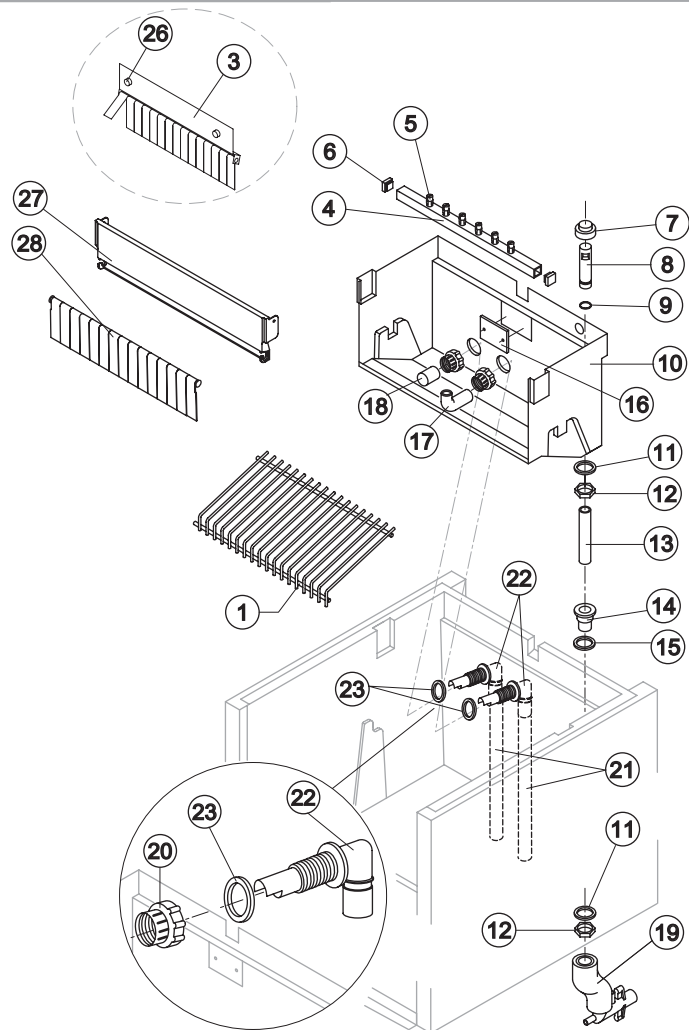
Voltage	Code
T11	23091
T12	23091
T13	23256
T19	23256

Rev. 9 - 17/06/2011



CB 425

HYDRAULIC CIRCUIT



Ref. 1 - Ices Cube Slide

Kind of Cube	Code
18 g. (Standard)	D12008
33 g.	D12030
13 g.	D12038
42 g.	D12030

Ref. 4* - Sprayers Bar Ass.

Kind of Cube	Code
18 g. (Standard)	C20029
33 g.	C20155
13 g.	C20189
42 g.	C20155

Common Parts

Ref.	Spare Description	Code
1	Ice Cubes Slide	See Table
3	Panel with Flags	Till s/n. 380311
4*	Sprayers Bar Assy	See Table
5	Sprayer	D20002
6	Sprayers Bar Plug	10012
7*	Overflow Cap	10305
8*	Overflow Pipe	10133
9*	OR Gasket for Overflow Pipe	20233
10	Inner Basin	10253
11	Semirigid Polyethylene Gasket	13007
12	Bin Discharge Nut	10096
13*	Overflow Pipe	13108
14	Water Outlet Nipple	10472
15	Silicone Gasket	13006
16	Slide Keep Plate	10009
17	Sprayers Feeding Pipe	13005
18*	Pump Suction Filter	20005
20	Fittings Locking Ring	10405
21	Pump Suction/Delivery Pipe	13139
22	Fitting for the Pump Suction/Delivery Pipes	10404
23	Gasket of the Pump Suction/Delivery Pipes	13143
26	Fixing Screw	Till s/n. 380311
27	Flags ABS Support	Current Version
28	Rod with Flags	Current Version

Parts for Air Cooled Version Only

Ref.	Spare Description	Code
19	Discharges Manifold	C10006

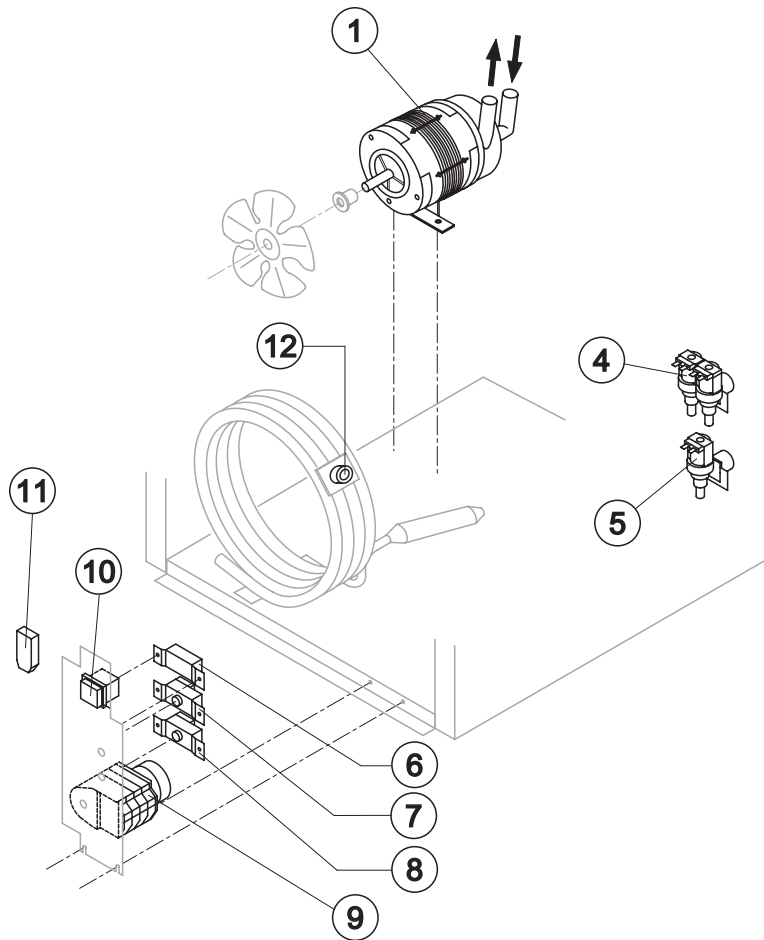
Parts for Water Cooled Version Only

Ref.	Spare Description	Code
19	Discharges Manifold	C26452



CB 425

ELECTRIC PARTS



Common Parts

Ref.	Spare Description	Code
1*	Pump Assy	See Table
7*	Bin Thermostat	R23005
8*	Evaporator Thermostat	R23591
9*	Timer	See Table
10*	Green Light Switch (On-Off)	23327

Parts for Air Cooled Version Only

Ref.	Spare Description	Code
5*	1 Way- Water Inlet Valve	See Table

Parts for Water Cooled Version Only

Ref.	Spare Description	Code
4*	2 Ways Water Inlet Valve	See Table
6*	Condenser Pressure Switch	23175
11	Anti Radio Interference Filter	Only T11
12*	Safety Thermostat	C23114

Ref. 1* - Pump Assy

Voltage	Code
T11	C23377
T12	C23377
T13	C23663
T19	C23663

Ref. 4*-2 Ways- Water Inlet Valve

Voltage	Code
T11	23010
T12	23010
T13	23646
T19	23646

Ref. 5* - 1 Way- Water Inlet

Voltage	Code
T11	23001
T12	23001
T13	23260
T19	23260

Ref. 6* - Cond. Pressure

Voltage	Code
T11	23175
T12	23175
T13	23175
T19	23680

Ref. 9* - Timer

Voltage	18g Cube	33g Cube	13g Cube	42g Cube
T11	23222	23248	23247	23780
T12	23248	23780	23247	23780
T13	23259	23786	23258	23786
T19	23259	23786	23258	23786