



LIST OF THE EXPLODED VIEWS



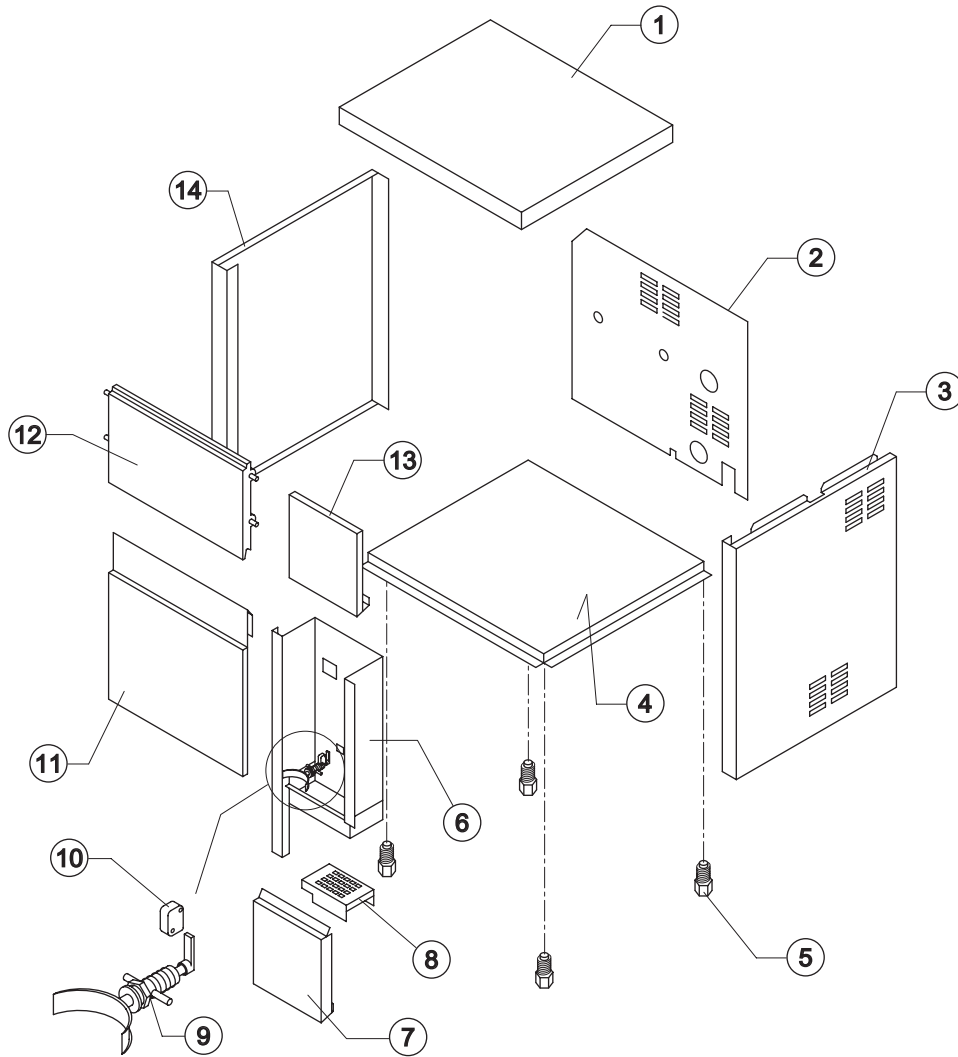
SHELL ASSY

COOLING SYSTEM

HYDRAULIC CIRCUIT

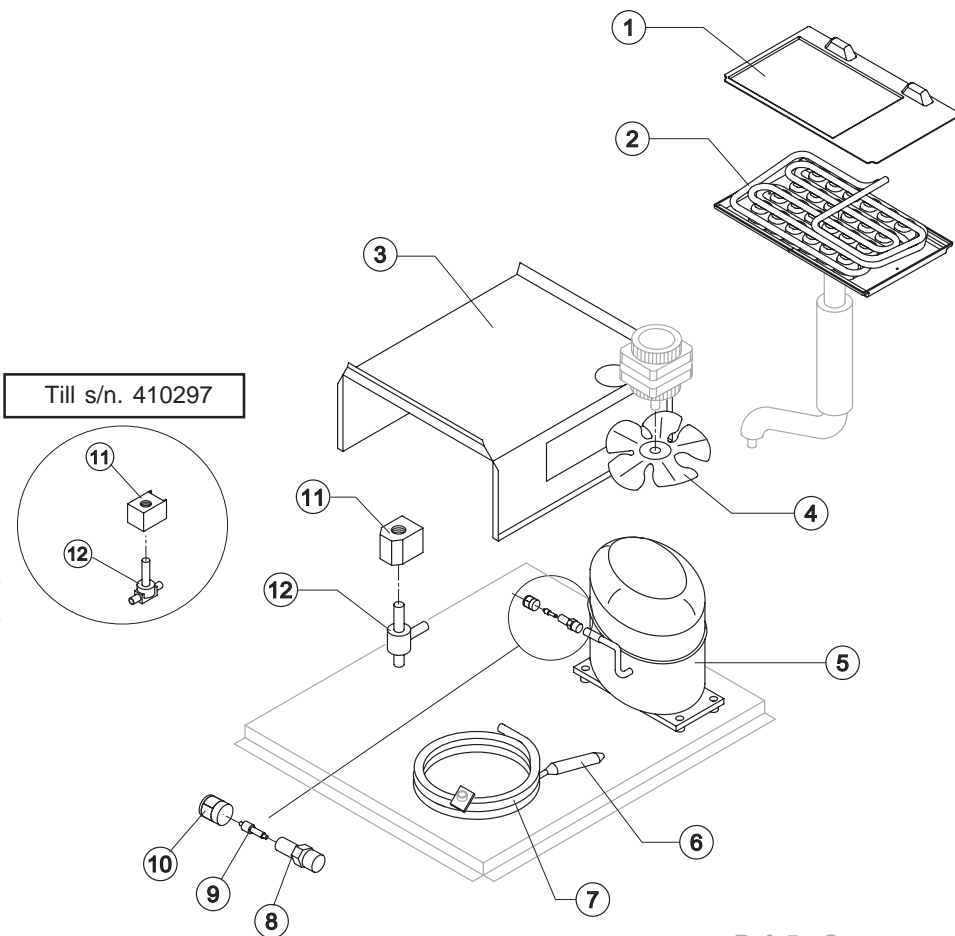
SPRAYER PUMP

ELECTRIC PARTS



Ref.	Spare Description	Code
1	Top Assembly	C22199
2	Rear Panel	22198
3	Right Side Panel	22200
4	Base Plate	21105
5	Foot	10017
6	Ice Dispenser Panel	22273
7	Basin Cover Panel	22190
8	Glass Support	22183
9*	Ice Dispenser Push Button Assembly	C26544
10*	Microswitch	23055
11	Front Panel (Bin Side)	22189
12	Dark Grey Door	10277
13	Tap Cover	22197
14	Left Side Panel	22201

Rev. 9 - 10/02/2012



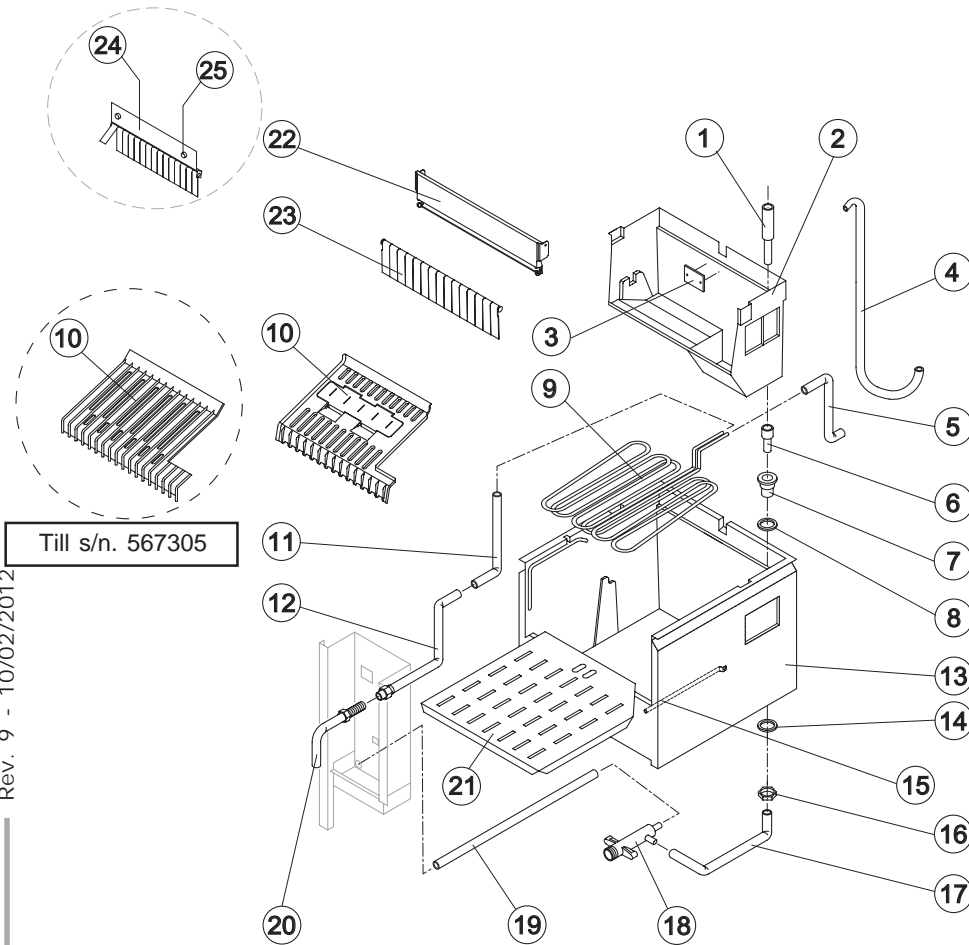
Ref.	Spare Description		Code
1	Evaporator Cover Panel	Current Version	10455
1	Evaporator Cover Panel	Till s/n. 225972	10076
2	Evaporator		D10079
3	Bin Support Frame		21108
4	Pressing Fan	Till s/n. 410297	20193
5	Compressor	See Table	-
6*	Molecular Drier		14009
7	Water Condenser	Current Version	14634
7	Water Condenser	Till s/n. 410297	14100
8	Vacuum-Charge Valve Body		14007
9*	Vacuum-Charge Valve Device		14005
10*	Vacuum-Charge Valve Plug		14006
11*	Hot Gas Valve Coil	See Table	-
12*	Hot Gas Valve Body	Current Version	20853
12	Hot Gas Valve Body	Till s/n. 410297	20410

Ref. 5 - Compressor

Tension	Code Current Version	Code Till s/n. 410297
T11	23886	23436
T12	23494	23494
T13	23446	23446
T19	23446	23446

Ref. 11* - Hot Gas Valve Coil

Tension	Code Current Version	Code Till s/n. 410297
T11	23854	23091
T12	23854	23091
T13	23855	23256
T19	23855	23256

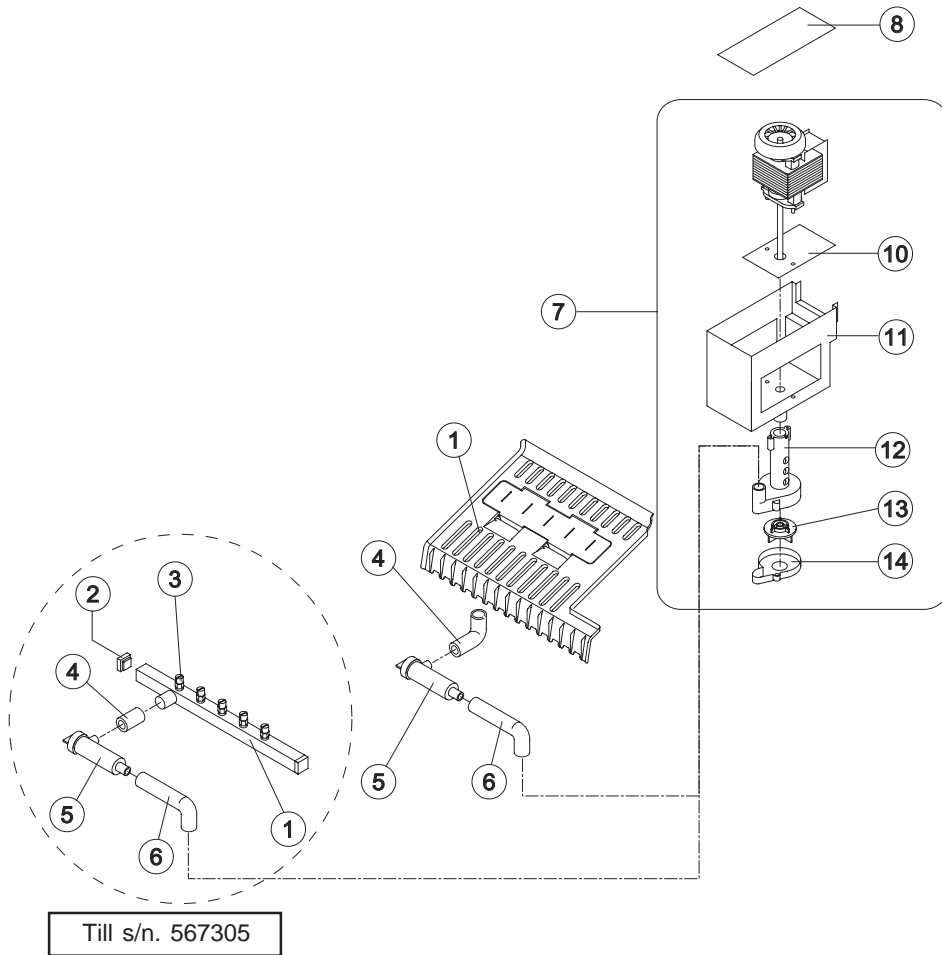


Ref.	Spare Description	Code
1*	Overflow Pipe	13028
2	Inner Basin	10064
3	Slide Keep Plate	10142
4*	Evaporator Feeding Pipe	C20535
5	Inlet Valve-Coil Connection Pipe	13156
6*	Overflow Pipe	C13045
7	Water Outlet Nipple	10472
8	Silicone Gasket	13006
9	Water Coil	14099
10	Ice Cubes Slide	Current Version C10626
10	Ice Cubes Slide	Till s/n. 567305 10136
11	Coil-Faucet Connection Pipe	13156
12	Tap Feeding Pipe	14102
13	Foamed Bin	R11016/E
14	Semirigid Polyethylene Gasket	13007
15	Bulbe Thermostat Tube	20520
16	Bin Discharge Nut	10096
17	Bin Discharge Pipe	13044
18	Discharge Manifold	C10121
19	Dispenser Water Discharge Pipe	13043
20	Tap	20195
21	Coil Covering Grid	22188
22	Flags ABS Support	Current Version 10530
23	Rod With Flags	Current Version C10532
24	Panel with Flags	Till s/n. 380376 C22106
25	Fixing Screw	Till s/n. 380376 20009

Rev. 9 - 10/02/2012



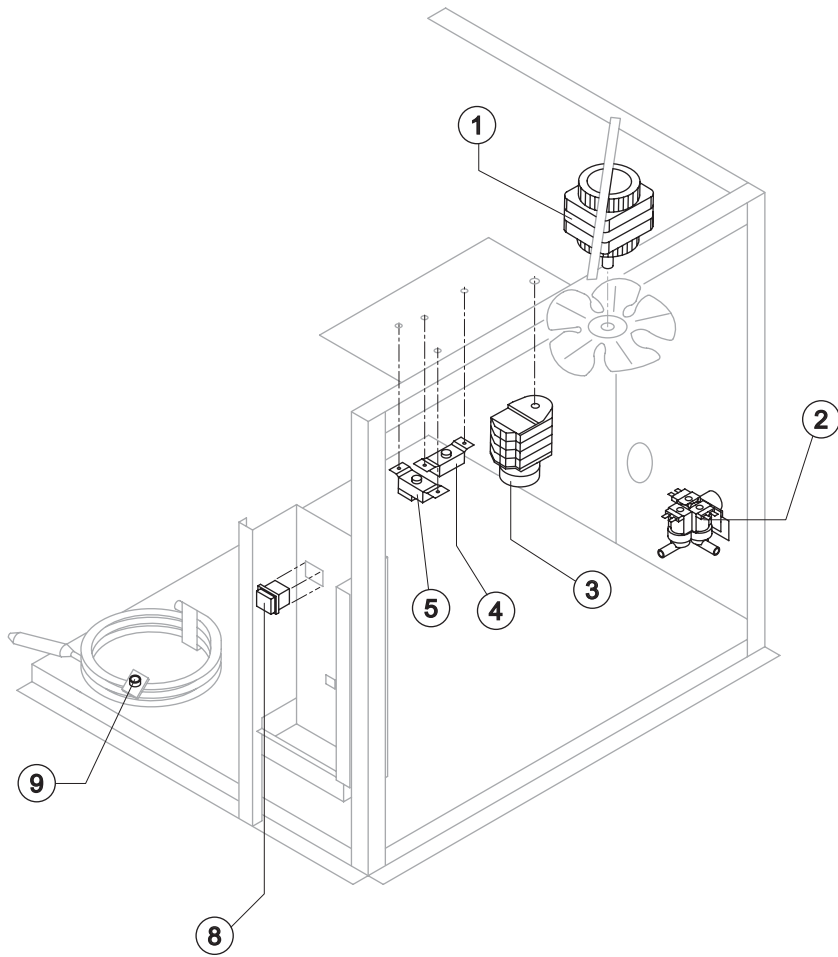
Rev. 9 - 10/02/2012



Rif.	Descrizione Ricambio		Codice
1*	Sprayers Bar Assembly	Current Version	C10626
1*	Sprayers Bar Assembly	Till s/n. 567305	C20147
2	Sprayers Bar Plug	Till s/n. 567305	10012
3	Sprayer	Till s/n. 567305	D20002
4	Filter-Sprayers Bar Connection Pipe	Current Version	13005
4	Filter-Sprayers Bar Connection Pipe	Till s/n. 567305	13056
5*	Pump Filter		10139
6	Pump-Filter Connection Pipe		13055
7*	Pump Assy	Current Version	-
8	Pump Cover		10647
10	Heat Dissipator		22430
11	Pump Motor Box		10073
12	Pump Body		10065
13	Pump Imeller		10066
14	Diffusor		10067

Ref. 7* - Pump Assy

Tension	Code Current Version	Code Till s/n. 410297
T11	C23858	C23076
T12	C23892	C23270
T13	C23893	C23271
T19	C23893	C23271



Ref.	Spare Description	Code
1	Fan Motor	Till s/n. 410297
2*	3 Ways- Water Inlet Valve	See Table
3*	Timer	See Table
4*	Bin Thermostat	R23005
5*	Evaporator Thermostat	R23591
8*	Green Light Switch (on-Off)	23327
9*	Safety Thermostat	C23114

Ref. 1 - Fan Motor

Tension	Code
T11	23029
T12	23029
T13	23683
T19	23683

Ref. 2* - 3Ways- Water Inlet

Tension	Code
T11	23144
T12	23144
T13	23269
T19	23269

Ref. 3* - Timer

Tension	Code
T11	23247
T12	23247
T13	23258
T19	23258