



IC 18

# LIST OF THE EXPLODED VIEWS



*SHELL ASSY*

*COOLING SYSTEM*

*HYDRAULIC CIRCUIT*

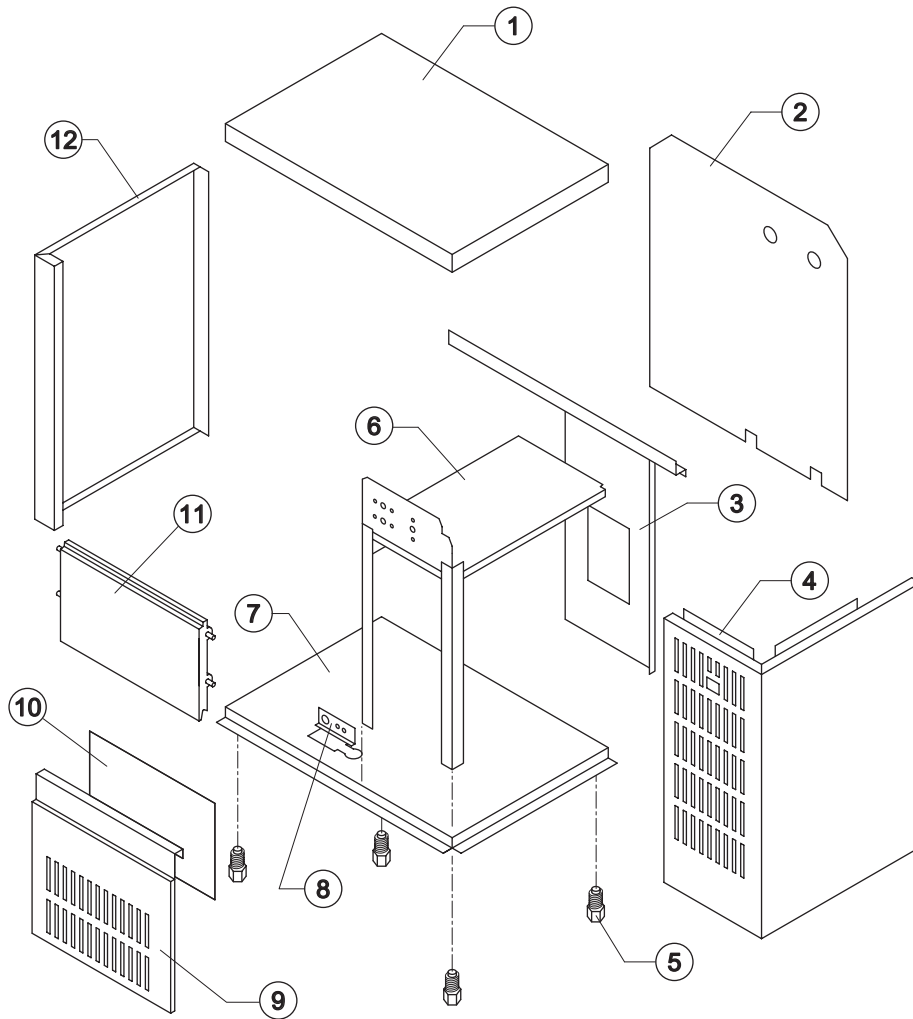
*SPRAYER PUMP*

*ELECTRIC PARTS*



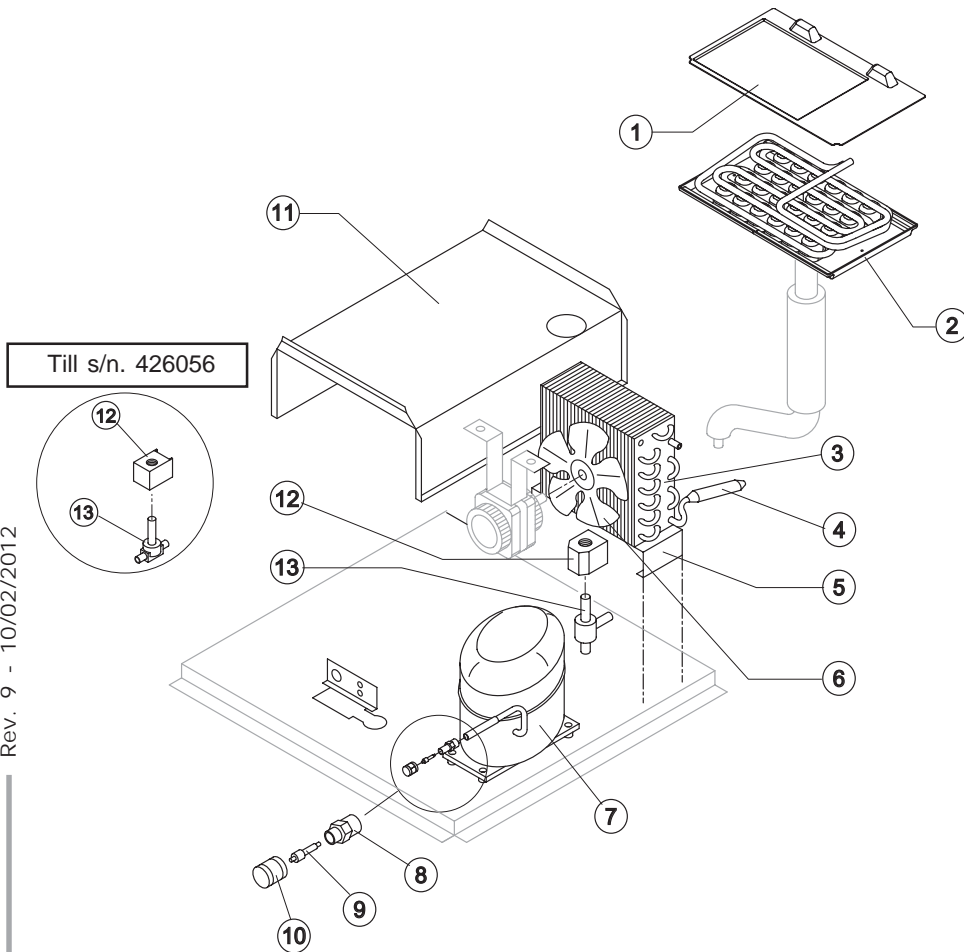
# IC 18

# SHELL ASSY



Ref.	Spare Description	Code
1	Top Assembly	C22199
2	Rear Panel	21161
3	Rear Frame	21156
4	Right + Front Panel (Fan Side)	22308
5	Foot	10017
6	Fan Motor + Electrical Parts Support Plate	22301
7	Base Plate	21105
8	Support (Watervalue & Discharge)	21149
9	Front Panel	22307
10*	Filtering Panel	18106
11	Blue Door	10081
12	Left Side Panel	22309

Rev. 9 - 10/02/2012



Ref.	Spare Description	Code
1	Evaporator Cover Panel	Current Version
1	Evaporator Cover Panel	Till s/n. 225972
2	Evaporator	D10079
3	Air Condenser	20094
4*	Molecular Drier	14009
5	Air Condenser Support	21155
6	Sucking Fan	20095
7	Compressor	See Table
8	Vacuum-Charge Valve Body	14007
9*	Vacuum-Charge Valve Device	14005
10*	Vacuum-Charge Valve Plug	14006
11	Bin Support Frame	21154
12*	Hot Gas Valve Coil	See Table
13*	Hot Gas Valve Body	Current Version
13	Hot Gas Valve Body	Till s/n. 426056

### Ref. 7 - Compressor

Tension	Code Current Version	Code Till s/n. 426056
T11	23886	23436
T12	23494	23494
T13	23446	23446

### Ref. 13\* - Hot Gas Valve Body

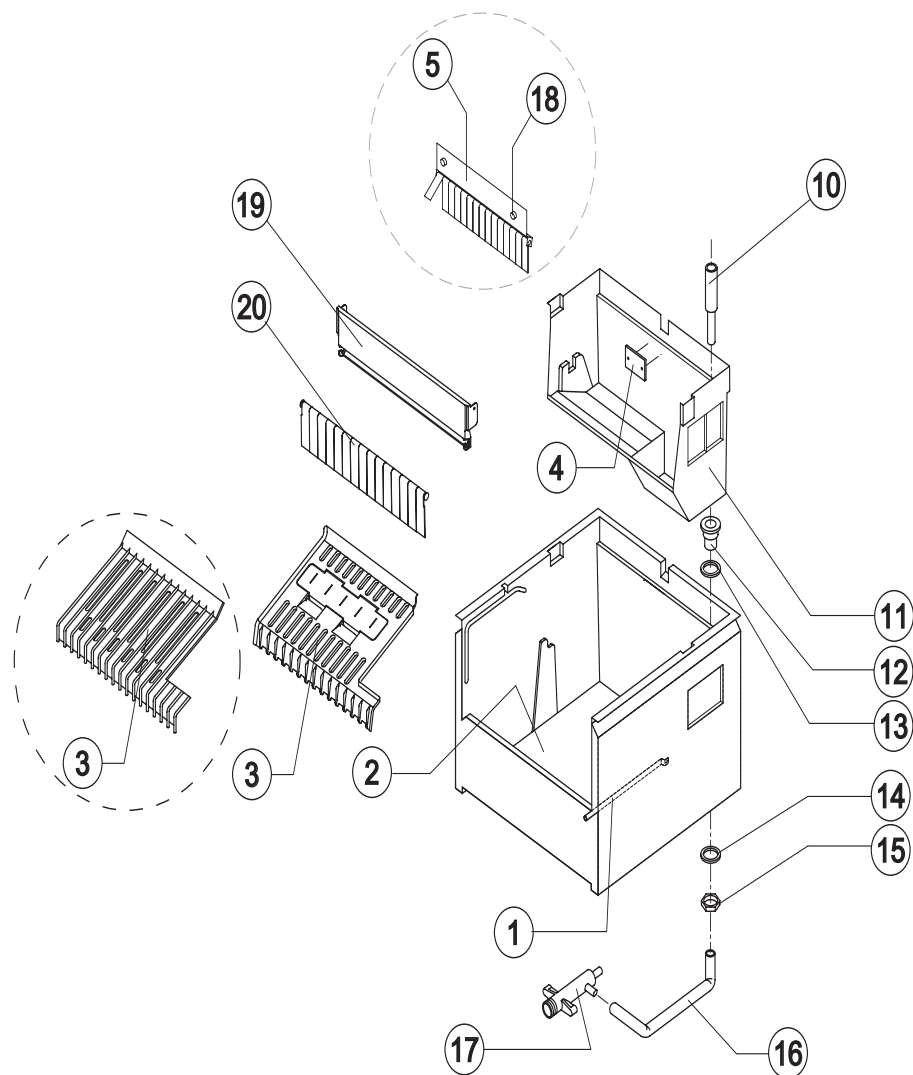
Tension	Code Current Version	Code Till s/n. 426056
T11	23854	23091
T12	23854	23091
T13	23855	23256



# IC 18

# HYDRAULIC CIRCUIT

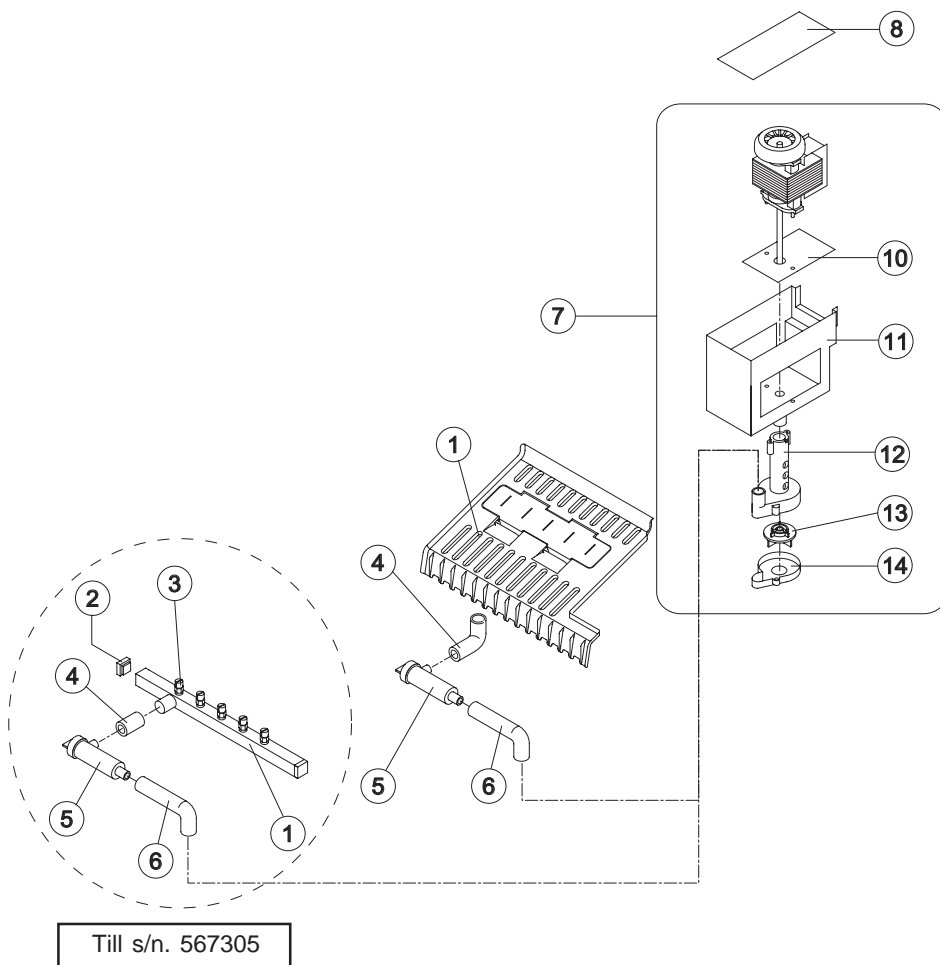
Rev. 9 - 10/02/2012



Ref.	Spare Description	Code
1	Bulbe-holder Pipe	20520
2	Foamed Basin	R11016/E
3	Ice Cubes Slide	Current Version C10626
3	Ice Cubes Slide	Til s/n. 567305 10136
4	Slide Keep Plate	10142
5	Panel with Flags	Til s/n. 380376 C22106
10*	Overflow Pipe	13028
11	Inner Basin	10064
12	Water Outlet Nipple	10472
13	Silicone Gasket	13006
14	Semirigid Polyethylene Gasket	13007
15	Bin Discharge Nut	10096
16	Water Discharge Pipe	13065
17	Discharge Manifold	10006
18	Fixing Screw	Til s/n. 380376 20009
19	Flags ABS Support	Current Version 10530
20	Rod with Flags	Current Version C10532



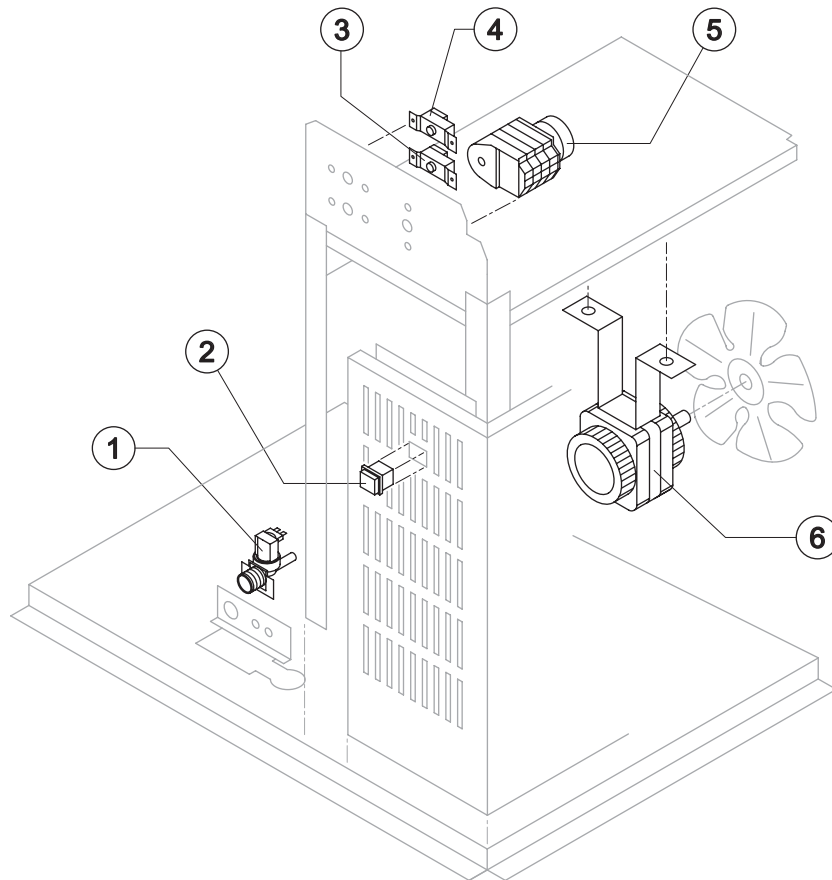
Rev. 9 - 10/02/2012



Ref.	Spare Description		Code
1*	Sprayers Bar Assembly	Current Version	C10626
1*	Sprayers Bar Assembly	Till s/n. 567305	C20147
2	Sprayers Bar Plug	Till s/n. 567305	10012
3	Sprayer	Till s/n. 567305	D20002
4	Filter-Sprayers Bar Connection Pipe	Current Version	13005
4	Filter-Sprayers Bar Connection Pipe	Till s/n. 567305	13056
5*	Pump Filter		10139
6	Pump-Filter Connection Pipe		13055
7*	Pump Assy	Current Version	-
8	Pump Cover		10647
10	Heat Dissipator		22430
11	Pump Motor Box		10073
12	Pump Body		10065
13	Pump Imeller		10066
14	Diffusor		10067

### Ref. 7\* - Pump Assy

Tension	Code Current Version	Code Till s/n. 426056
T11	C23858	C23076
T12	C23892	C23270
T13	C23893	C23271



Ref.	Spare Description	Code
1*	1 Way- Water Inlet Valve	See Table
2*	Green Light Switch (On-Off)	23327
3*	Evaporator Thermostat	R23591
4*	Bin Thermostat	R23005
5*	Timer	See Table
6*	Fan Motor	See Table

### Ref. 1\* - 1 Way- Water Inlet

Tension	Code
T11	23300
T12	23300
T13	23415

### Ref. 5\* - Timer

Tension	Code
T11	23247
T12	23247
T13	23258

### Ref. 6\* - Fan Motor

Tension	Code
T11	23029
T12	23029
T13	23683