



IC 30

LIST OF THE EXPLODED VIEWS



SHELL ASSY

COOLING SYSTEM

HYDRAULIC CIRCUIT

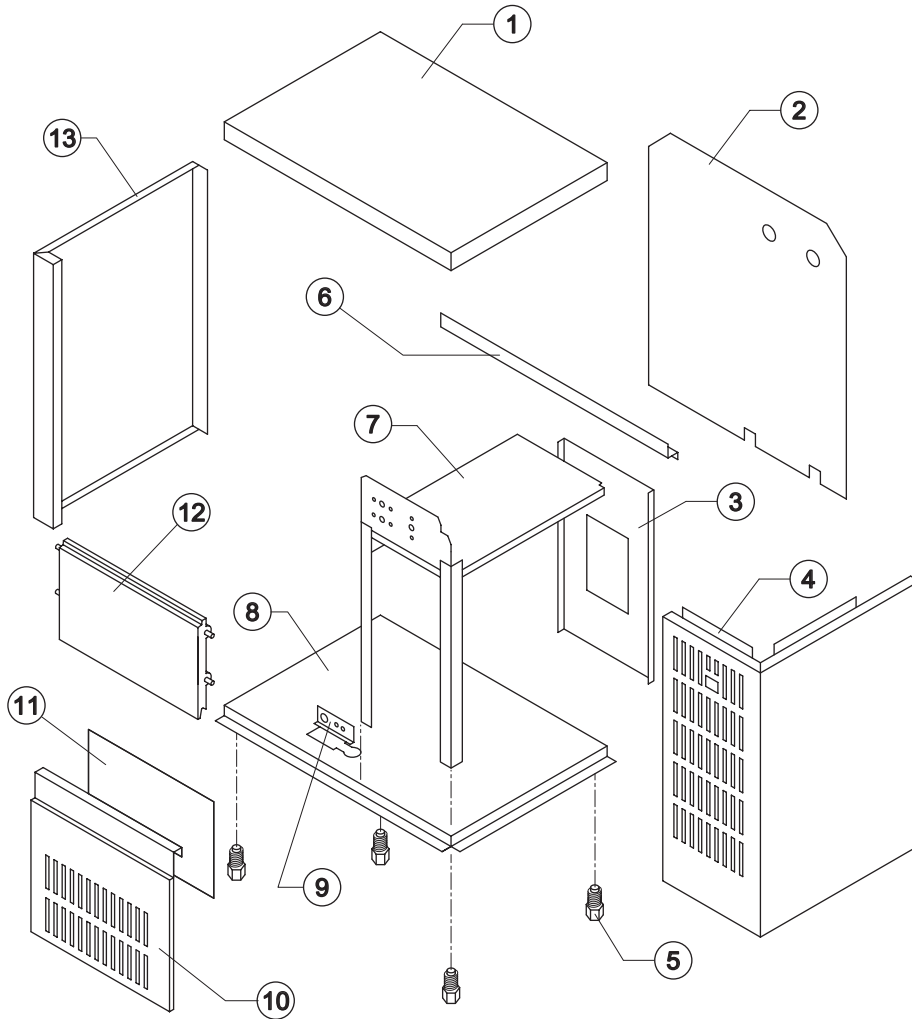
SPRAYER PUMP

ELECTRIC PARTS



IC 30

SHELL ASSY



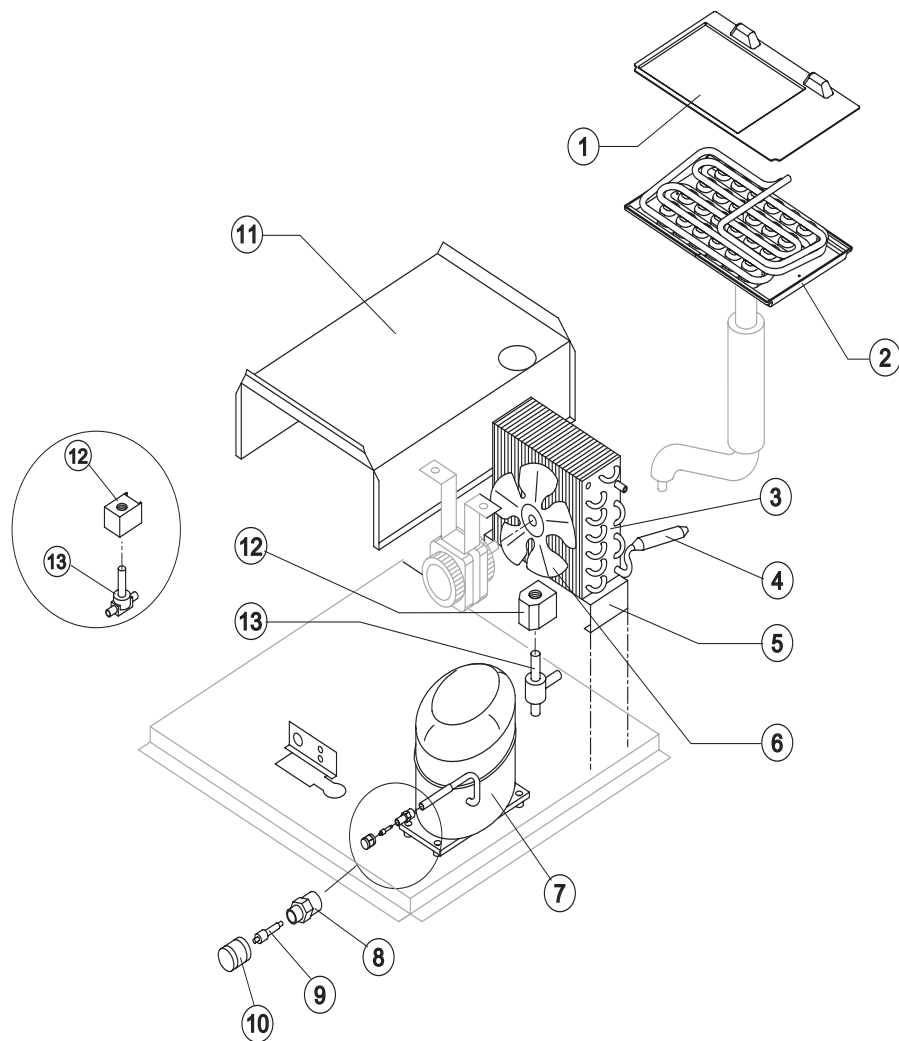
Ref.	Spare Description	Code
1	Top Assembly	C22305
2	Rear Panel	21160
3	Rear Plate	21158
4	Right + Front Panel (Fan Side)	22303
5	Foot	10017
6	Cross Bar for Rear Panel	21162
7	Fan Motor + Electrical Parts Support Plate	22302
8	Base Plate	21159
9	Support (Watervalue & Discharge)	21149
10	Front Panel	22306
11*	Filtering Panel	18106
12	Door Assy	C10297
13	Left Side Panel	22304

Rev. 8 - 21/06/2011



IC 30

COOLING SYSTEM



Ref.	Spare Description	Code
1	Evaporator Cover Panel	Current Version
1	Evaporator Cover Panel	Till s/n. 230946
2	Evaporator	See Table
3	Air Condenser	20260
4*	Molecular Drier	14009
5	Air Condenser Support	21148
6	Sucking Fan	See Table
7	Compressor	See Table
8	Vacuum-Charge Valve Body	14007
9*	Vacuum-Charge Valve Device	14005
10*	Vacuum-Charge Valve Plug	14006
11	Bin Support Frame	21157
12*	Hot Gas Valve Coil	See Table
13*	Hot Gas Valve Body	20410

Ref. 2 - Evaporator

Kind of Cube	Code
18 g. (Standard)	D10046
33 g.	D10089
13 g.	D10417
42 g.	D10465

Ref. 6 - Sucking Fan

Tension	Till s/n. 356536	Current Version
T11	10213	20096
T12	10213	20096
T13	20095	20095

Ref. 7 - Compressor

Tension	Code
T11	23441
T12	23494
T13	23446

Ref. 12* - Hot Gas Valve Coil

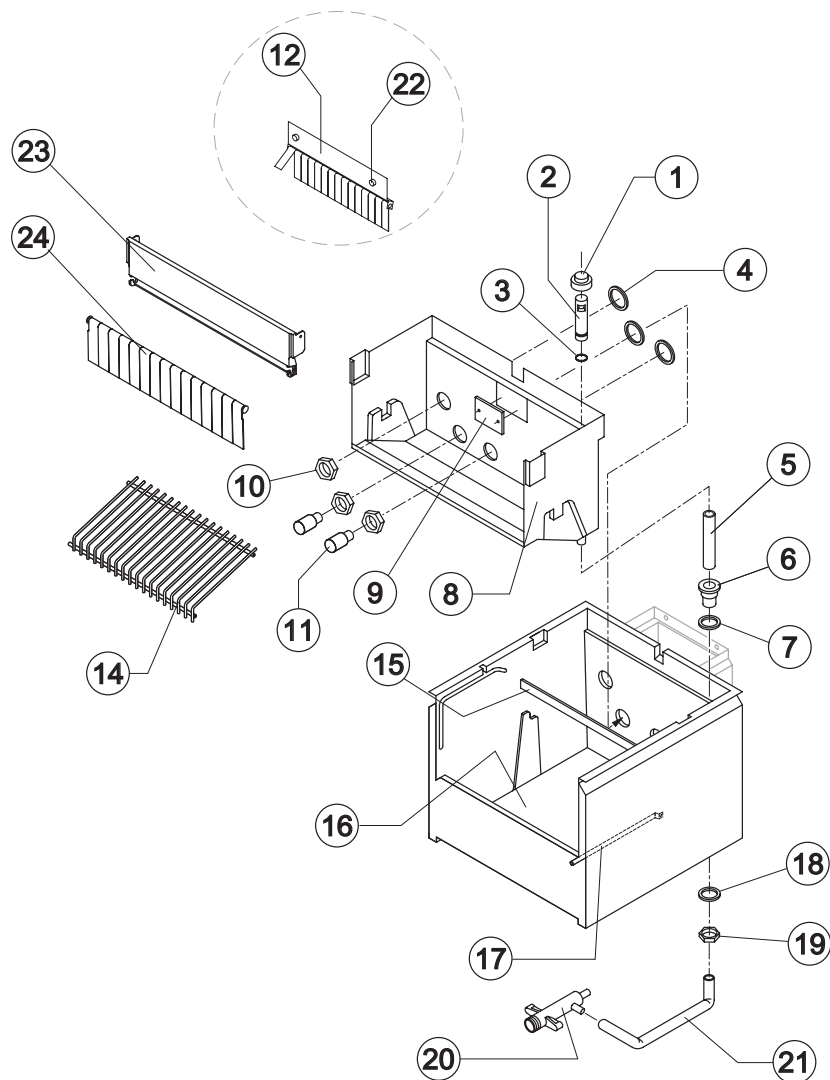
Tension	Code
T11	23091
T12	23091
T13	23256

Rev. 8 - 21/06/2011



IC 30

HYDRAULIC CIRCUIT



Ref.	Spare Description	Code
1*	Overflow Cap	10305
2*	Overflow Pipe	10133
3*	Or Gasket for Overflow Pipe	20233
4	Silicone Seal for Pump Basin	13069
5*	Overflow Pipe	13107
6	Water Outlet Nipple	10472
7	Silicone Gasket	13006
8	Inner Basin	10162
9	Slide Keep Plate	10009
10	Nut for Basin Connections	10159
11*	Pump Suction Filter	20005
12	Panel with Flags	Till s/n. 381271 C22035
14	Ice Cubes Slide	See Table -
16	Foamed Basin	rC11122
17	Bulbe-holder Pipe	20522
18	Semirigid Polyethylene Gasket	13007
19	Bin Discharge Nut	10096
20	Discharges Manifold	10006
21	Water Discharge Pipe	13067
22	Fixing Screw	Till s/n. 381271 20009
23	Flags ABS Support	Current Version 10526
24	Rod with Flags	Current Version C10534

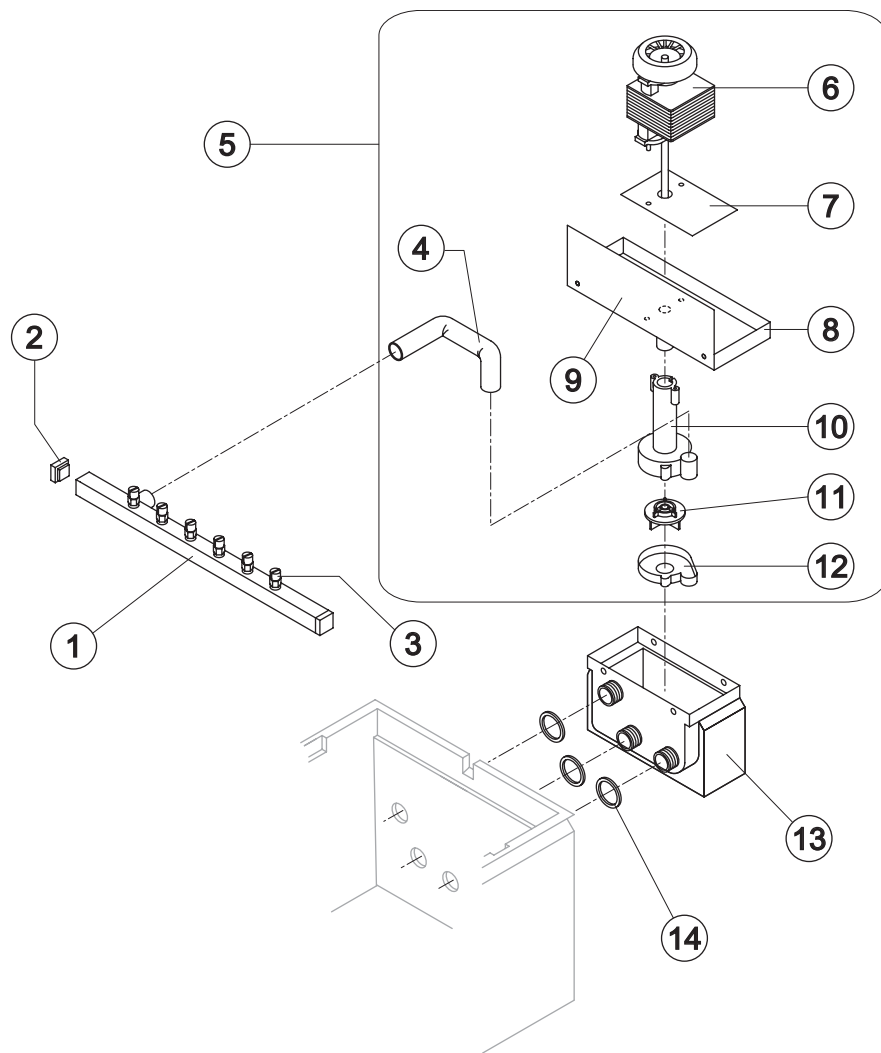
Ref. 14 - Ice Cubes Slide

Kind of Cube	Code
18 g. (Standard)	D12008
33 g.	D12030
13 g.	D12038
42 g.	D12030



IC 30

SPRAYER PUMP



Rev. 8 - 21/06/2011

Ref.	Spare Description	Code
1*	Sprayers Bar Assembly	See Table -
2	Sprayers Bar Plug	10012
3	Sprayer	D20002
4	Pump Delivery Pipe	13068
5*	Pump Assembly	See Table -
6	Pump	See Table -
7	Heat Dissipator	22430
8	Pump Motor Holder	10161
9	Basin/Pump Fender case	22763
10	Pump Body	10065
11	Pump Impeller	10066
12	Diffusor	10067
13	Insulated Pump Basin	C11048
14	Silicone Seal for Pump Basin	13069

Ref. 1* - Sprayers Bar Assembly

Kind of Cube	Code
18 g. (Standard)	C20573
33 g.	C20582
13 g.	C20571
42 g.	C20582

Ref. 5* - Pump Assembly

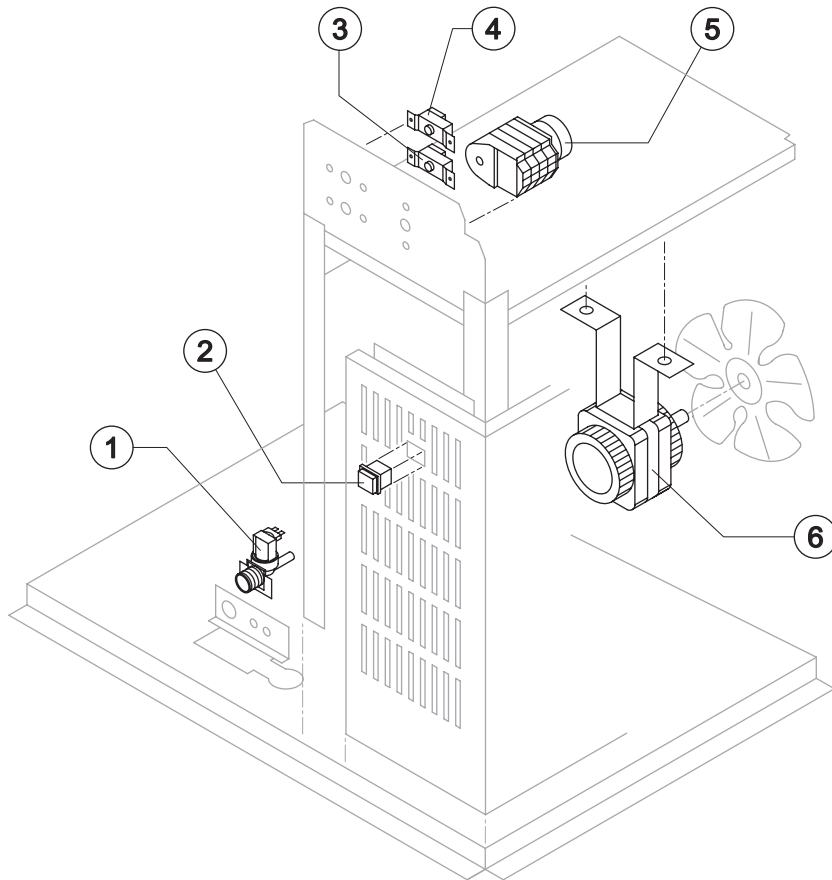
Tension	Code
T11	C23254
T12	C23416
T13	C23417

Ref. 6 - Pump

Tension	Code
T11	23073
T12	23187
T13	23188



Rev. 8 - 21/06/2011



Ref.	Spare Description	Code
1*	1 Way- Water Inlet Valve	See Table
2*	Green Light Switch (On-Off)	23327
3*	Evaporator Thermostat	R23591
4*	Bin Thermostat	R23005
5*	Timer	See Table
6*	Fan Motor	See Table

Ref. 1* - 1 Way- Water Inlet Valve

Tension	Code
T11	23300
T12	23300
T13	23415

Ref. 5* - Timer

Tension	18g Cube	33g Cube	13g Cube	42g Cube
T11	23222	23248	23247	23780
T12	23248	23780	23247	23780
T13	23259	23786	23258	23786

Ref. 6* - Fan Motor

Tension	Till s/n. 356536	Current Version
T11	C23864	23067
T12	C23864	23067
T13	23683	23683