



*IMF 35*

# LIST OF EXPLODED VIEWS



*SHELL ASSY*

*COOLING SYSTEM*

*HYDRAULIC CIRCUIT*

*EVAPORATOR SUPPORT from s/n. 497147*

*EVAPORATOR SUPPORT til s/n. 497146*

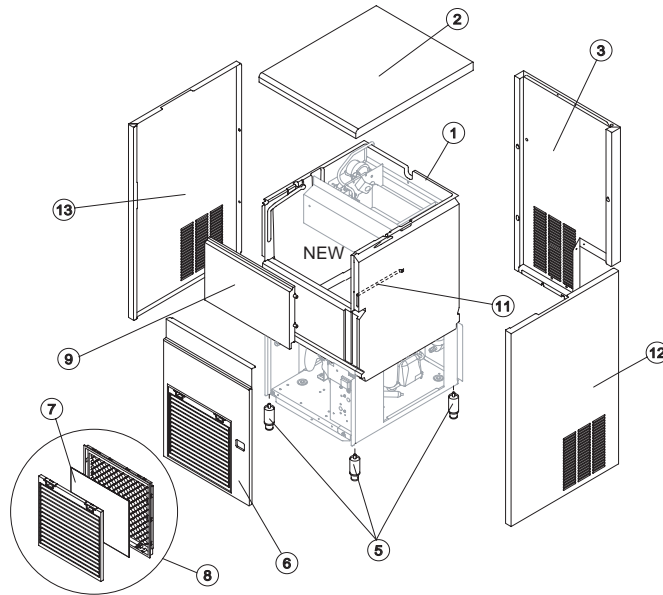
*ELECTRIC PARTS*

Rev. 6 - 31/05/2012



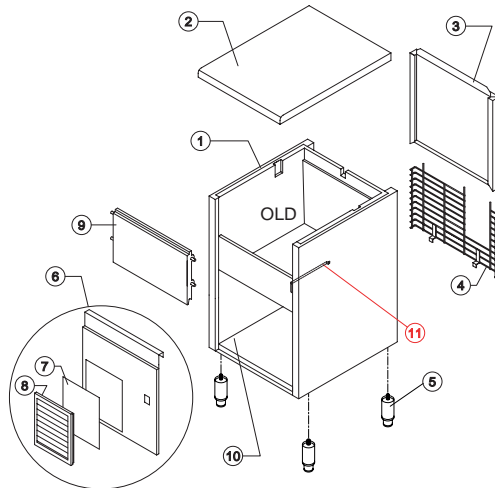
# IMF 35

# SHELL ASSY



### NEW Version

Ref.	Spare Description	Code
1	Foamed Bin Assy	C11136
2	Top Assembly	C221358
3	Rear Panel Assembly	C21383
5	Foot	20613
6	Front Grid Panel	C221354
7*	Filtering Panel	18106
8	Frame + Grid & Filter	C10205
9	Door Assy	C10297
11	Bulbe-holder Pipe	20521
12	Right Side Panel	221353
13	Left Side Panel	221352



### OLD Version

Ref.	Spare Description	Code
1	Foamed Bin Assy	C11142
2	Top Assembly	C22692
3	Rear Panel Assembly	C21182
4	Rear Grid	D12006
5	Foot	20613
6	Front Grid Panel	C22507
7*	Filtering Panel	18106
8	Frame + Grid & Filter	C10205
9	Door Assy	C10297
10	Base Plate	21279
<b>11</b>	<b>Bulb-holder Pipe</b>	<b>Current Version</b> <b>20521</b>
11	Bulbe-holder Pipe	Till s/n. 497146 20522

Rev. 6 - 31/05/2012



### Common Parts

Ref.	Spare Description	Code
3*	Molecular Drier	14009
5	Evaporator Cover Panel	10487
<b>6</b>	<b>Evaporator</b>	<b>Current Version</b>
6	Evaporator	Till s/n. 497146
6	Evaporator	<b>D14689</b>
7	Compressor	23886
8*	Hot Gas Valve Coil	23091
9*	Hot Gas Valve Body	20410
10*	Vacuum-Charge Valve Plug	14006
11*	Vacuum-Charge Valve Device	14005
12	Vacuum-Charge Valve Body	14007

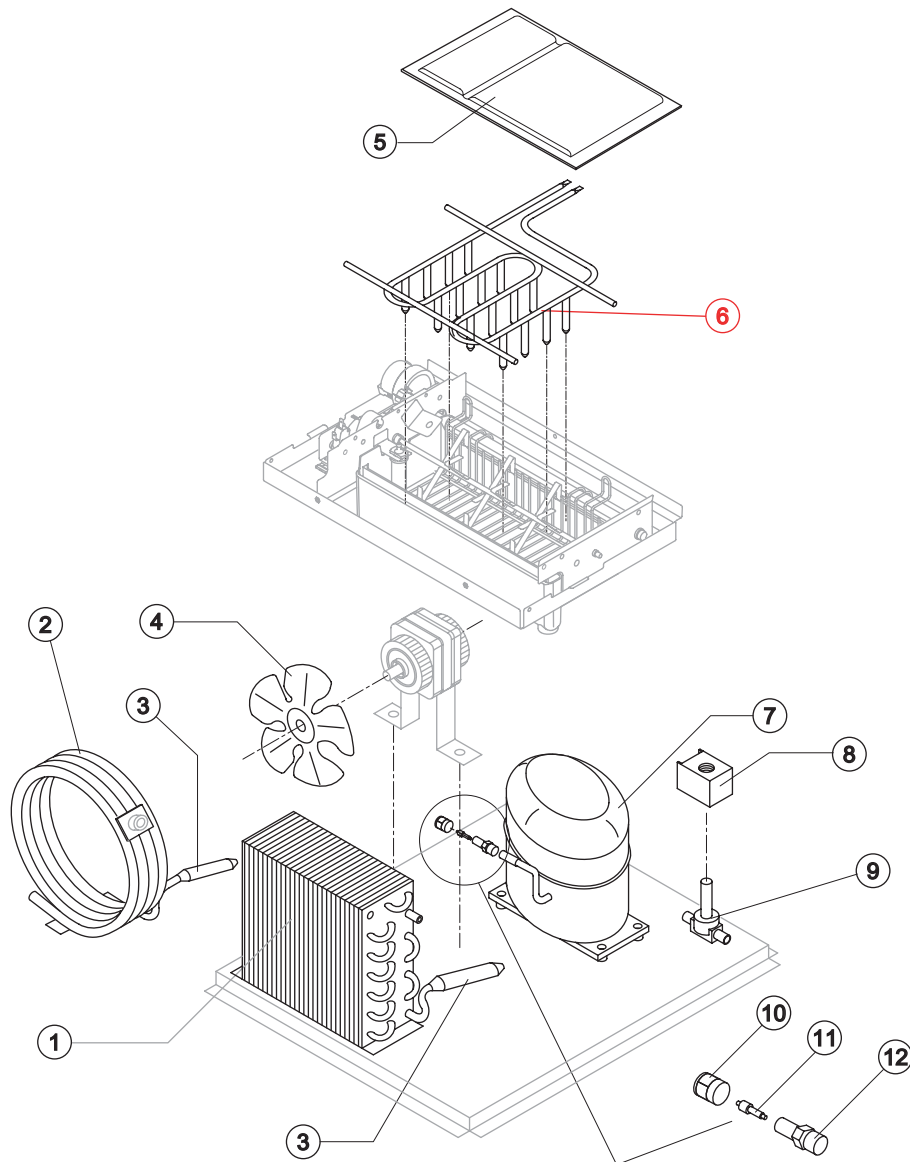
### Parts for Air-Cooled Version Only

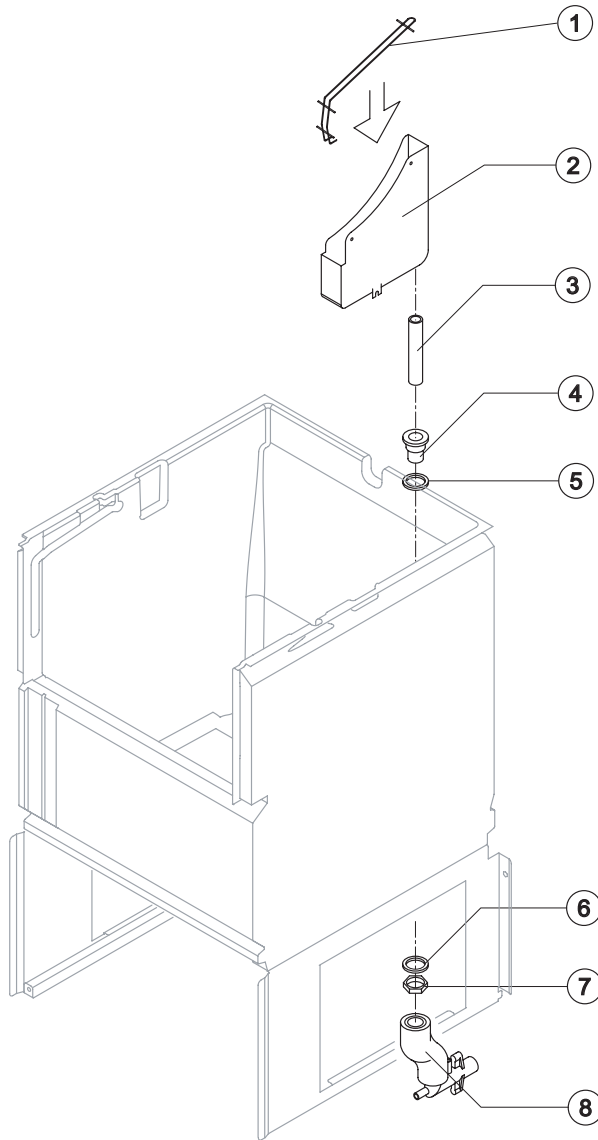
Ref.	Spare Description	Code
1	Air Condenser	20283
4	Sucking Fan	20095

### Parts for Water-Cooled Version Only

Ref.	Spare Description	Code
2	Water Condenser	14057

Rev. 6 - 31/05/2012





### Common Parts

Ref.	Spare Description	Code
1	Water Collecting Basin Slide	12072
2	Water Collecting Basin	10456
3*	Water Collecting Basin Drain Pipe	13158
4	Water Outlet Nipple	10472
5	Silicone Gasket	13006
6	Semirigid Polyethylene Gasket	13007
7	Bin Discharge Nut	10096

### Parts for Air-Cooled Version Only

Ref.	Spare Description	Code
8	Discharges Manifold	C10006

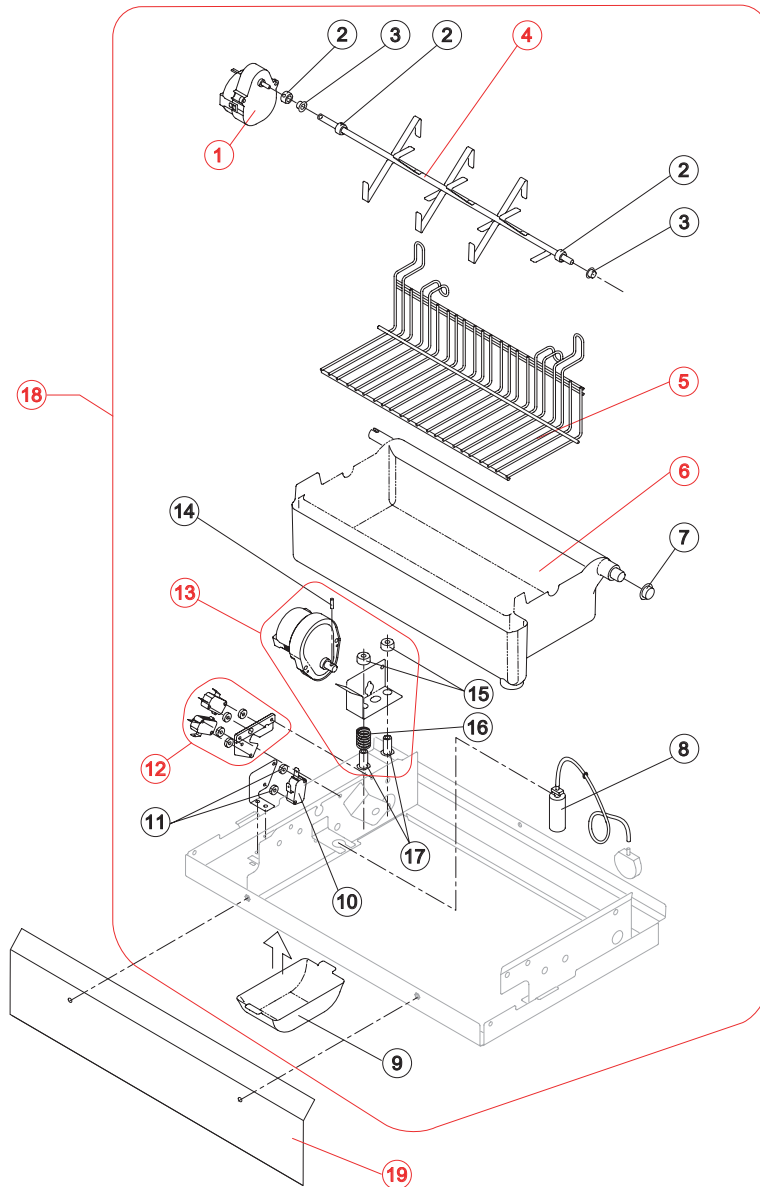
### Parts for Water-Cooled Version Only

Ref.	Spare Description	Code
8	Discharges Manifold	C26452



# IMF 35

## EVAPORATOR SUPPORT from s/n. 497147



Ref.	Spare Description	Code
<b>1*</b>	<b>Gearmotor (Paddles)</b>	<b>23937</b>
2	Shaft Stop Ring	20227
3	Self-Lubricating Bush 06/06	20230
<b>4*</b>	<b>Shaft with Paddles</b>	<b>20966</b>
<b>5</b>	<b>Internal Slide Bin</b>	<b>12086</b>
<b>6*</b>	<b>Water Basin with Pivot</b>	<b>C10589</b>
7	Self-Lubricating Bush 12/07	20231
8*	Air Trap with Pipe	C10537
9	Gearmotor (Paddles) Protection	10483
10*	Microswitch (Paddles - NO)	23804
11	Switch Shimming Ring	10250
<b>12*</b>	<b>2 Microswitches (Basin - NC) Support Assembly</b>	<b>C26747</b>
<b>13*</b>	<b>Gearmotor (Turnover Basin) with support Assy</b>	<b>C26746</b>
14	Shaft Pin for Gearmotor (Turnover Basin)	20814
15	Special Ring	20808
16	Spring (Gearmotor Support)	20809
17	Threaded Pivot	20807
<b>18</b>	<b>Evaporator Support Plate Assembly</b>	<b>C221175</b>
<b>19</b>	<b>Front Basin Cover</b>	<b>221204</b>

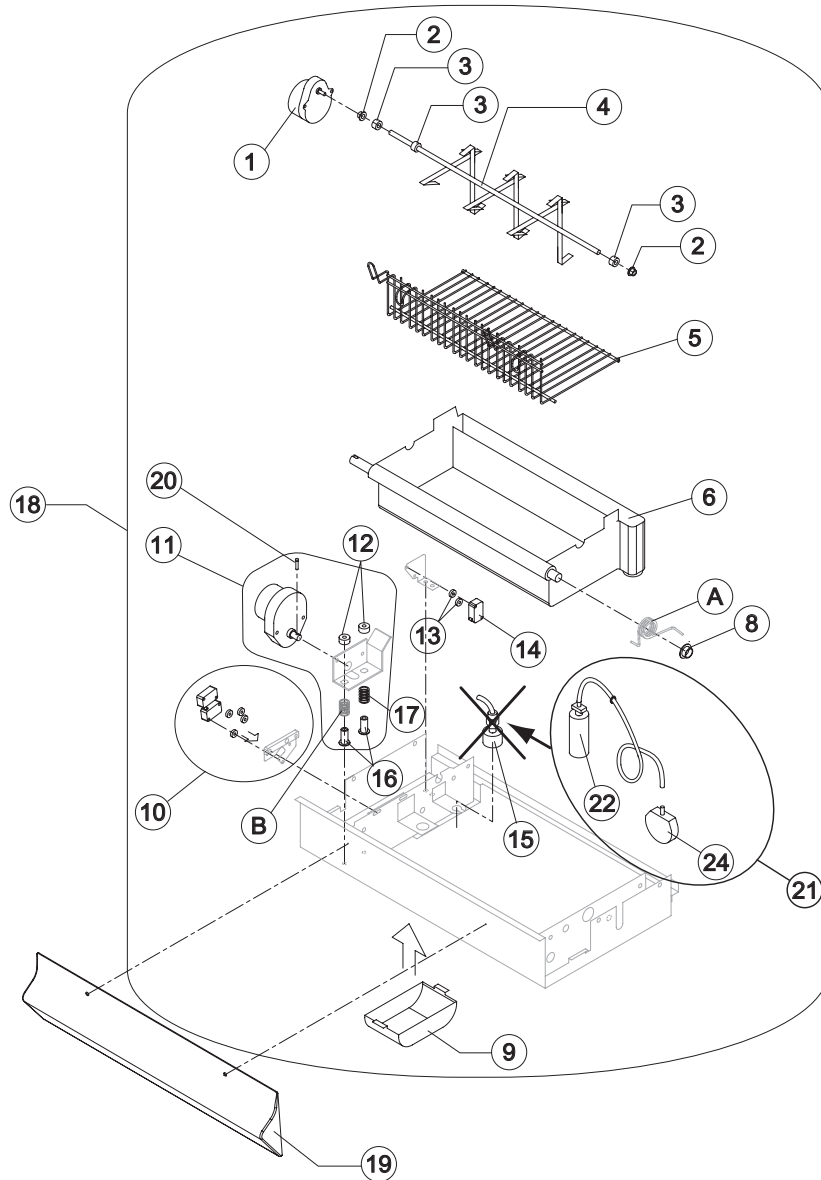
Rev. 6 - 31/05/2012



# IMF 35

# EVAPORATOR SUPPORT

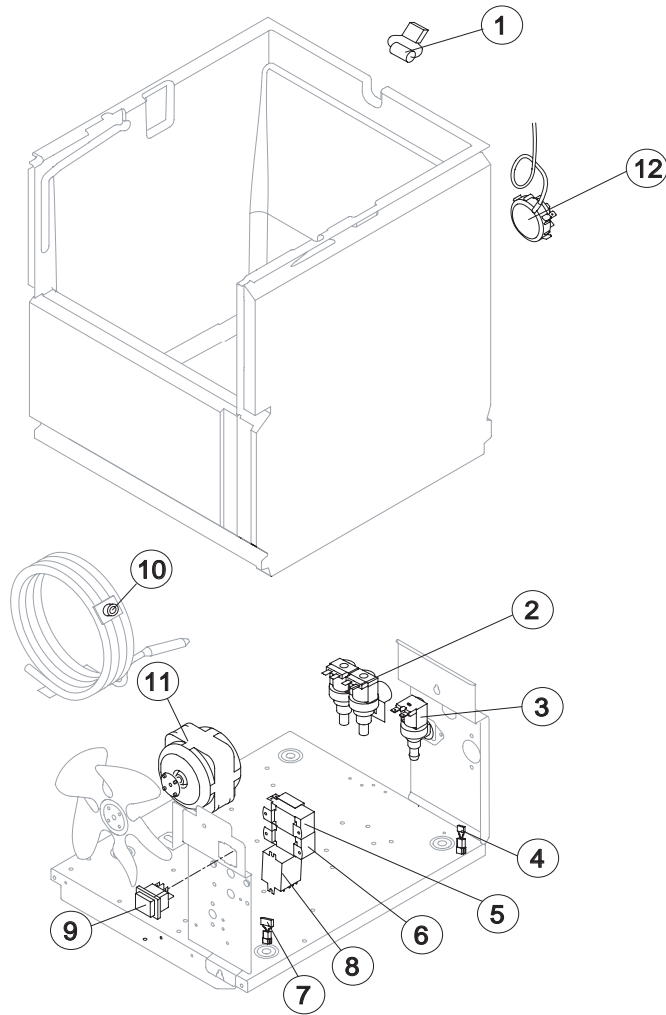
till s/n. 497146



Ref.	Spare Description	Code
1	Gearmotor (Paddles)	23802
2	Self-Lubricating Bush 06/06	20230
3	Shaft Stop Ring	20227
4	Shaft with Paddles	20818
5	Internal Basin Slide	12074
6	Water Basin with Pivot	C10489
8	Self-Lubricating Bush 12/07	20231
9	Gearmotor (Paddles) Protection	10483
10	2 Microswitches (Basin - NC) Support Assembly	C23803
11	Gearmotor (Turnover Basin) with Support assy	C26742
12	Special Ring	20808
13	Switch Shimming Ring	10250
14	Microswitch (Paddles - NO)	23804
15	Electromagnetic Level Switch	replaced by ref. 21
16	Threaded Pivot	20807
17	Spring (Gearmotor Support)	20809
18	Evaporator Support Plate Assembly	C22141
19	Basin Protection	10509
20	Shaft Pin for Gearmotor (Turnover Basin)	20814
21	Water Level Pressure Switch Assy	KIT23870
22	Air Trap with Pipe	C10537
24	Water Level Pressure Switch	23870



Eliminated the Lightening Spring ref. A and one Gearmotor Support Spring ref. B, suggested removal even from the models where they are present.



### Common Parts

Ref.	Spare Description	Code
1*	Capacitor 0,068μF	C23798
4	Anti Radio Interference Filter	C23458
5*	Condenser Pressure Switch	23175
6*	Bin Thermostat	R23005
8*	Relay	23190
9*	Green Light Switch(On-Off)	23327
12*	Water Level Pressure Switch	23870

### Parts for Air-Cooled Version Only

Ref.	Spare Description	Code
3*	1 Way- Water Inlet Valve	23220
7	Anti Radio Interference Filter	C23459
11*	Fan Motor	23029

### Parts for Water-Cooled Version Only

Ref.	Spare Description	Code
2*	2 Ways- Water Inlet Valve	23501
7	Anti Radio Interference Filter	C23457
10*	Safety Thermostat Switch	C23114