



*IMF 58*

# LIST OF EXPLODED VIEWS



*SHELL ASSY*

*COOLING SYSTEM*

*HYDRAULIC CIRCUIT*

*EVAPORATOR SUPPORT from s/n. 497153*

*EVAPORATOR SUPPORT till s/n. 497152*

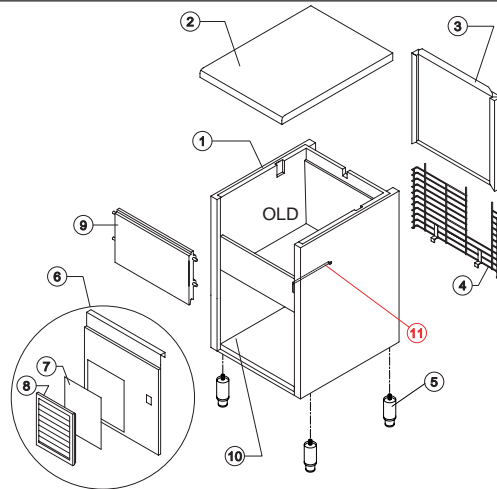
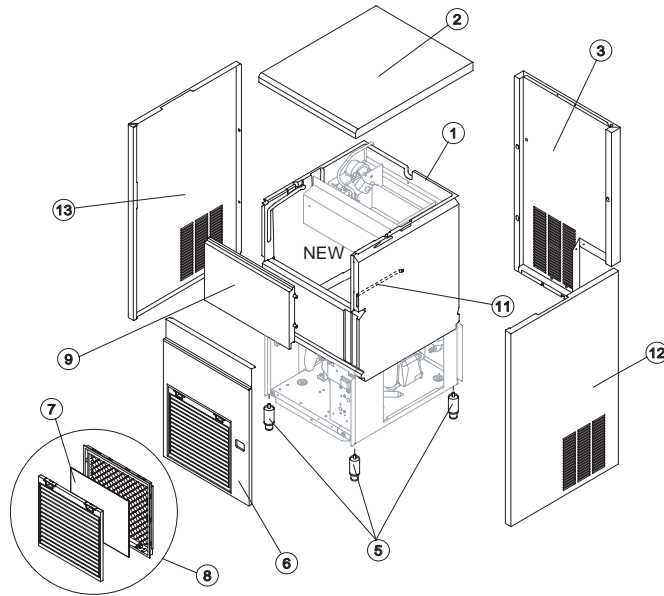
*ELECTRIC PARTS*

Rev. 6 - 31/05/2012



# IMF 58

# SHELL ASSY



### NEW Version

Ref.	Spare Description	Code
1	Foamed Bin Assy	C11137
2	Top Assembly	221358
3	Rear Panel Assembly	C21387
5	Foot	20613
6	Front Grid Panel	C221357
7*	Filtering Panel	18106
8	Frame + Grid & Filter	C10205
9	Door Assy	C10297
11	Bulb-holder Pipe	20521
12	Right Side Panel	221356
13	Left Side Panel	221355

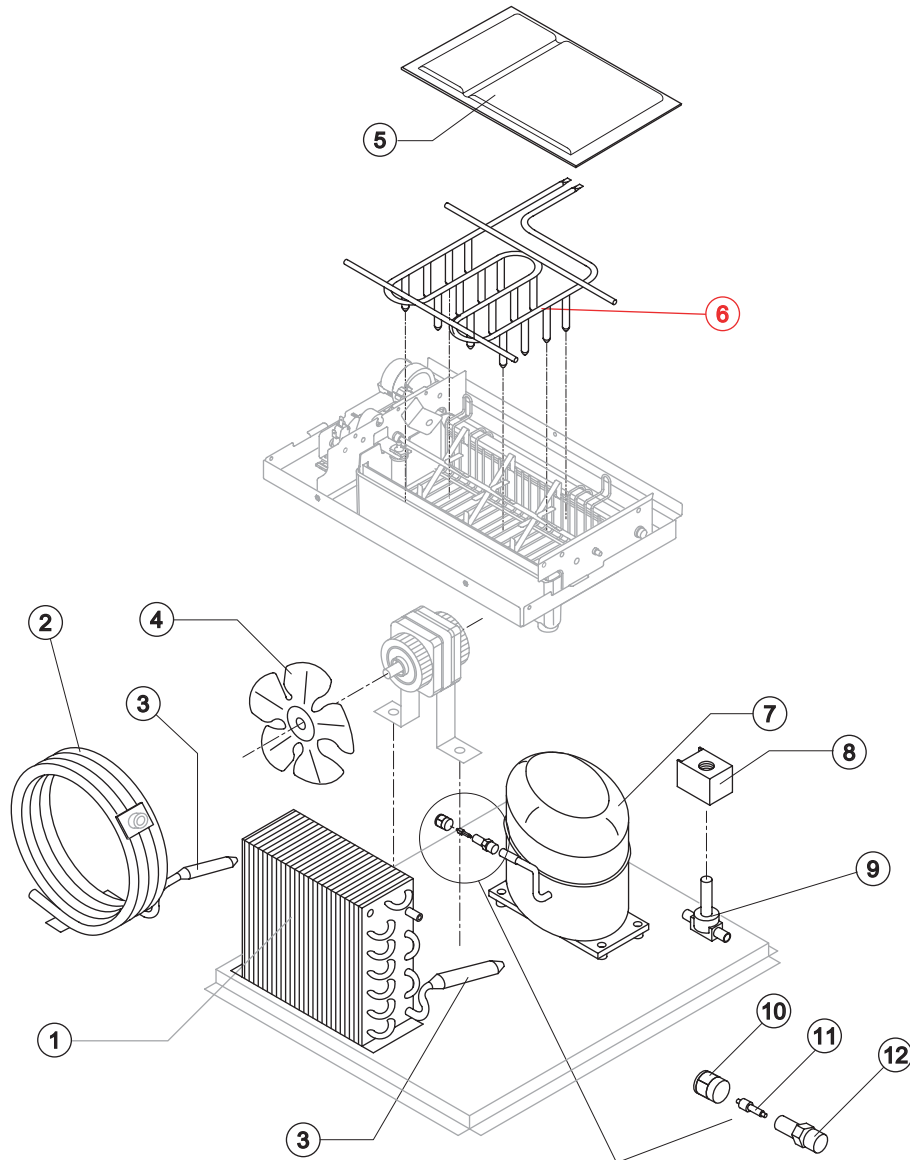
### OLD Version

Ref.	Spare Description	Code
1	Foamed Bin Assy	C11143
2	Top Assembly	C22692
3	Rear Panel Assembly	C21183
4	Rear Grid	D12006
5	Foot	20613
6	Front Grid Panel	C22508
7*	Filtering Panel	18106
8	Frame + Grid & Filter	C10205
9	Door Assy	C10297
10	Base Plate	21279
<b>11</b>	<b>Bulb-holder Pipe</b>	<b>Current Version</b> <b>20521</b>
11	Bulbe-holder Pipe	Till s/n. 497152 20522

Rev. 6 - 31/05/2012



Rev. 6 - 31/05/2012



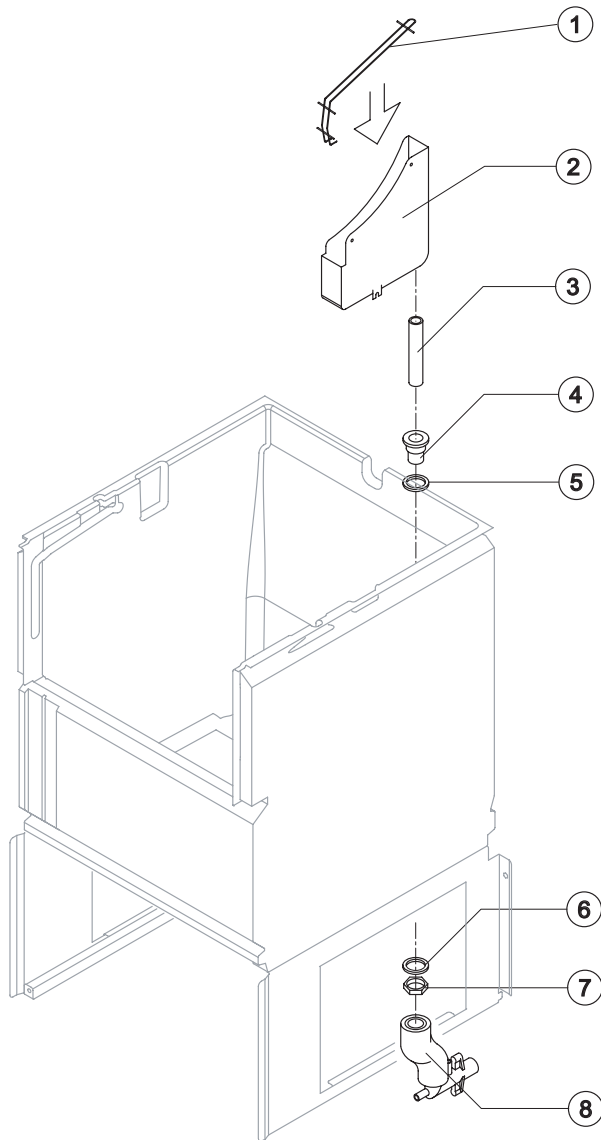
Ref.	Spare Description	Code
3*	Molecular Drier	14009
5	Evaporator Cover Panel	10487
<b>6</b>	<b>Evaporator</b>	<b>Current Version</b>
6	Evaporator	Till s/n. 497152
6	Evaporator	<b>D14691</b>
7	Compressor	23441
8*	Hot Gas Valve Coil	23091
9*	Hot Gas Valve Body	20410
10*	Vacuum-Charge Valve Plug	14006
11*	Vacuum-Charge Valve Device	14005
12	Vacuum-Charge Valve Body	14007

### Parts for Air-Cooled Version Only

Ref.	Spare Description	Code
1	Air Condenser	20019
4	Sucking Fan	20096

### Parts for Water-Cooled Version Only

Ref.	Spare Description	Code
2	Water Condenser	14014



### Common Parts

Ref.	Spare Description	Code
1	Water Collecting Basin Slide	12072
2	Water Collecting Basin	10456
3*	Water Collecting Basin Drain Pipe	13107
4	Water Outlet Nipple	10472
5	Silicone Gasket	13006
6	Semirigid Polyethylene Gasket	13007
7	Bin Discharge Nut	10096

### Parts for Air-Cooled Version Only

Ref.	Spare Description	Code
8	Discharges Manifold	C10006

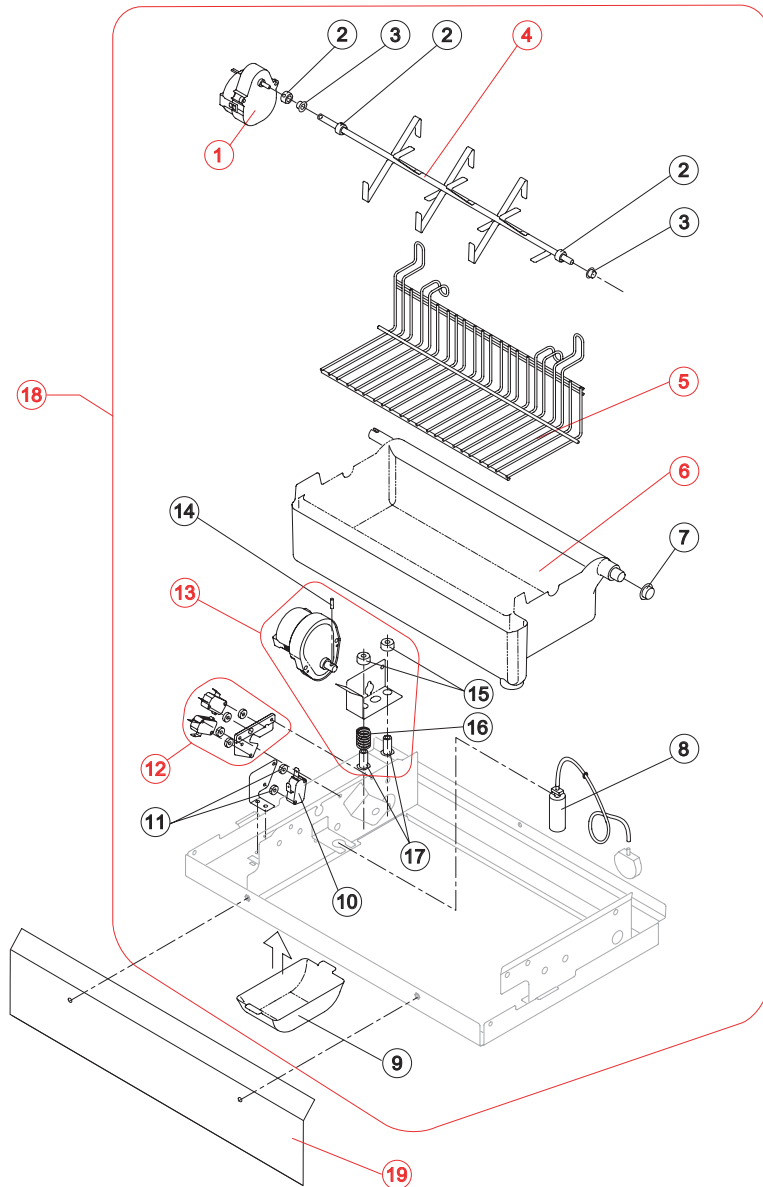
### Parts for Water-Cooled Version Only

Ref.	Spare Description	Code
8	Discharges Manifold	C26452



# IMF 58

## EVAPORATOR SUPPORT from s/n. 497153



Ref.	Spare Description	Code
<b>1*</b>	<b>Gearmotor (Paddles)</b>	<b>23801</b>
2	Shaft Stop Ring	20227
3	Self-Lubricating Bush 06/06	20230
<b>4*</b>	<b>Shaft with Paddles</b>	<b>20966</b>
<b>5</b>	<b>Internal Slide Bin</b>	<b>12088</b>
<b>6*</b>	<b>Water Basin with Pivot</b>	<b>C10591</b>
7	Self-Lubricating Bush 12/07	20231
8*	Air Trap with Pipe	C10537
9	Gearmotor (Paddles) Protection	10483
10*	Microswitch (Paddles - NO)	23804
11	Switch Shimming Ring	10250
<b>12*</b>	<b>2 Microswitches (Basin - NC) Support Assembly</b>	<b>C26747</b>
<b>13*</b>	<b>Gearmotor (Turnover Basin) with support Assy</b>	<b>C26746</b>
14	Shaft Pin for Gearmotor (Turnover Basin)	20814
15	Special Ring	20808
16	Spring (Gearmotor Support)	20809
17	Threaded Pivot	20807
<b>18</b>	<b>Evaporator Support Plate Assembly</b>	<b>C221206</b>
<b>19</b>	<b>Front Basin Cover</b>	<b>221204</b>

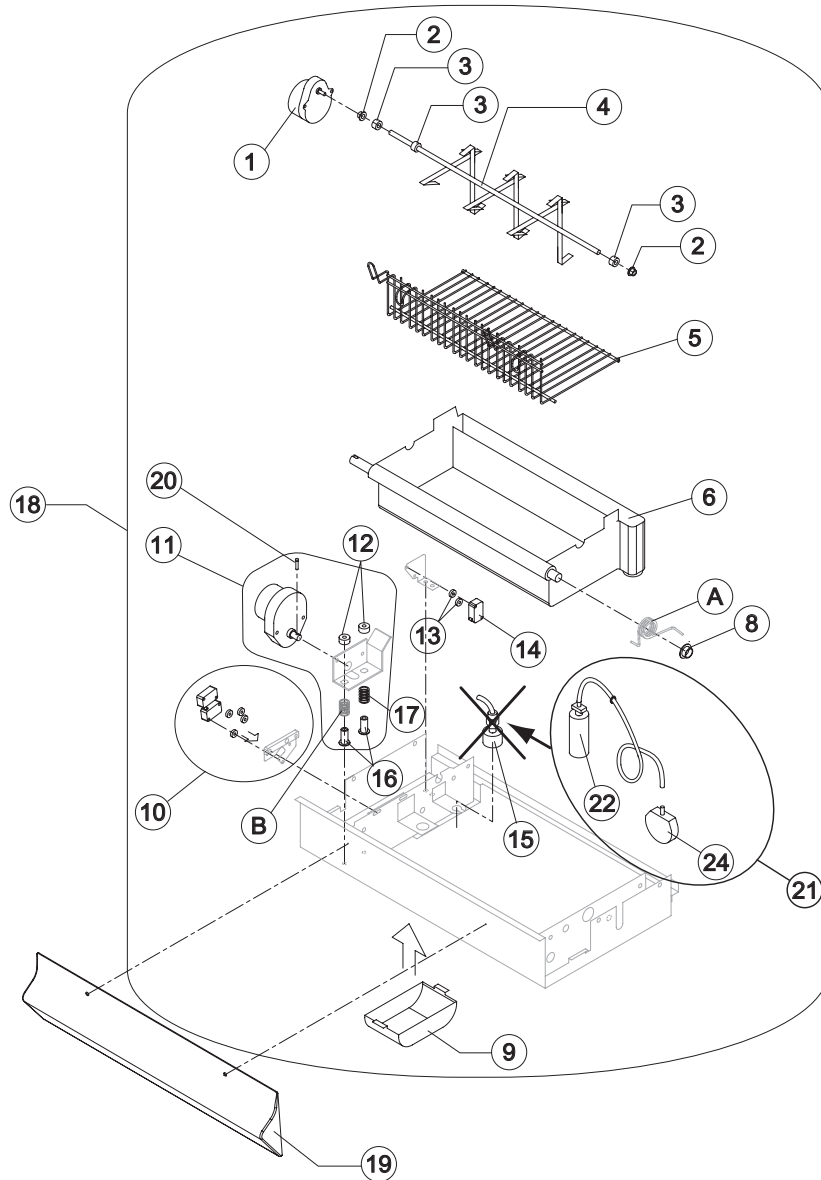
Rev. 6 - 31/05/2012



# IMF 58

# EVAPORATOR SUPPORT

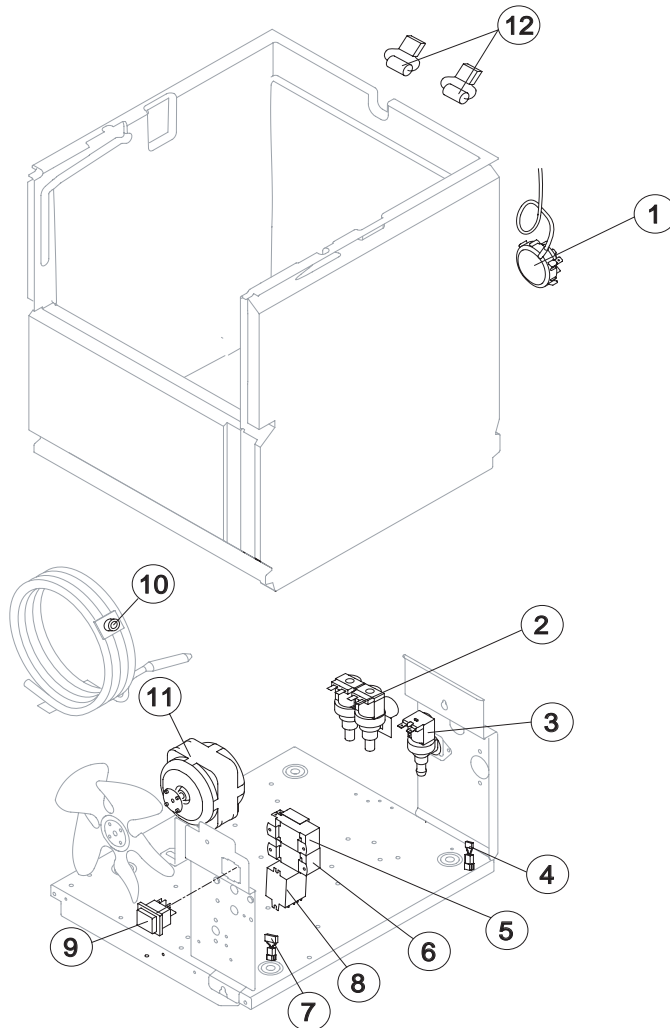
## till s/n. 497152



Rif.	Descrizione Ricambio	Codice
1	Gearmotor (Paddles)	23802
2	Self-Lubricating Bush 06/06	20230
3	Shaft Stop Ring	20227
4	Shaft with Paddles	20818
5	Internal Basin Slide	12075
6	Water Basin with Pivot	RC10491
8	Self-Lubricating Bush 12/07	20231
9	Gearmotor (Paddles) Protection	10483
10	2 Microswitches (Basin - NC) Support Assembly	C23803
11	Gearmotor (Turnover Basin) with Support assy	C26742
12	Special Ring	20808
13	Switch Shimming Ring	10250
14	Microswitch (Paddles - NO)	23804
15	Electromagnetic Level Switch	replaced by ref. 22
16	Threaded Pivot	20807
17	Spring (Gearmotor Support)	20809
18	Evaporator Support Plate Assembly	C22142
19	Basin Protection	10509
21	Shaft Pin for Gearmotor (Turnover Basin)	20814
22	Water Level Pressure Switch Assy	KIT23870
23	Air Trap with Pipe	C10537
25	Water Level Pressure Switch	23870



Eliminated the Lightening Spring ref. A and one Gearmotor Support Spring ref. B, suggested removal even from the models where they are present.



### Common Parts

Ref.	Spare Description	Code
1*	Capacitor 0,068μF	<b>C23798</b>
4	Anti Radio Interference Filter	C23458
5*	Condenser Pressure Switch	23175
6*	Bin Thermostat	R23005
8*	Relay	23190
9*	Green Light Switch(On-Off)	23327
12*	Water Level Pressure Switcha	23870

### Parts for Air-Cooled Version Only

Ref.	Spare Description	Code
3*	1 Way- Water Inlet Valve	23220
7	Anti Radio Interference Filter	C23459
11*	Fan Motor	23029

### Parts for Water-Cooled Version Only

Ref.	Spare Description	Code
2*	2 Ways- Water Inlet Valve	23501
7	Anti Radio Interference Filter	C23457
10*	Safety Thermostat Switch	C23114