



IMF 80

LIST OF THE EXPLODED VIEWS



SHELL ASSY

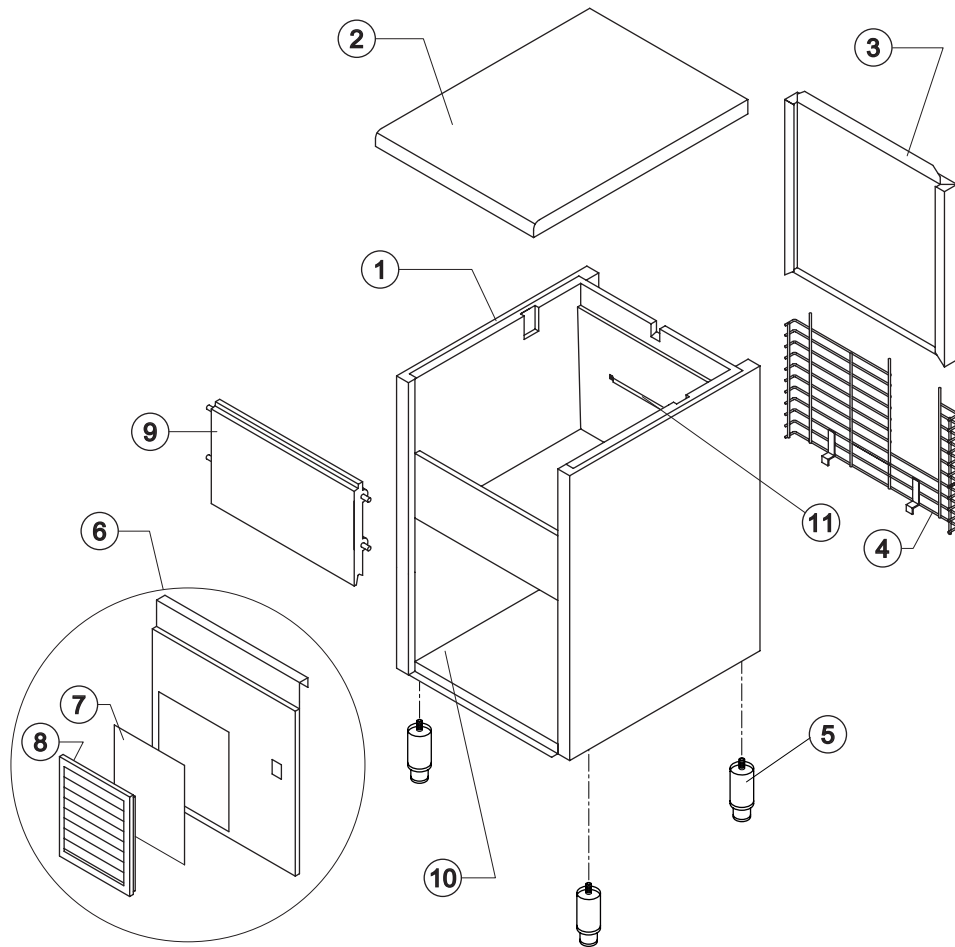
COOLING SYSTEM

HYDRAULIC CIRCUIT

EVAPORATOR SUPPORT

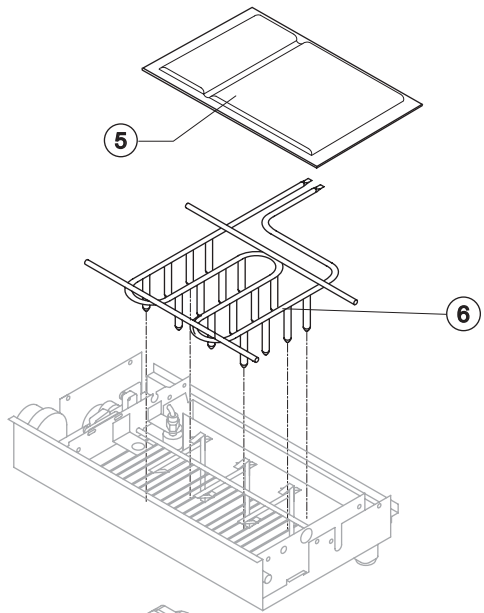
ELECTRIC PARTS

Rev. 6 - 19/07/2010



Ref.	Spare Description	Code
1	Foamed Cabinet Assy	C11144
2	Top Assembly	C22673
3	Rear Panel Assembly	C21184
4	Rear Grid	D12015
5	Foot	20613
6	Front Grid Panel	C22509
7*	Filtering Panel	18106
8	Frame + Grid & Filter	C10205
9	Door Assy	C10275
10	Base Plate	21280
11	Bulbe-holder Pipe	20522

Rev. 6 - 19/07/2010



Common Parts

Ref.	Spare Description	Code
3*	Molecular Drier	14089
5	Evaporator Cover Panel	10488
6	Evaporator	D14529
7	Compressor	See Table
8*	Hot Gas Valve Coil	23091
9*	Hot Gas Valve Body	20410
10*	Vacuum-Charge Valve Plug	14006
11*	Vacuum-Charge Valve Device	14005
12	Vacuum-Charge valve Body	14007

Parts for Air-Cooled Version Only

Ref.	Spare Description	Code
1	Air Condenser	Current Version 20558
1	Air Condenser	Till s/n. 347948 20175
4	Sucking Fan	See Table -

Parts for Water-Cooled Version Only

Ref.	Spare Description	Code
2	Water Condenser	14014

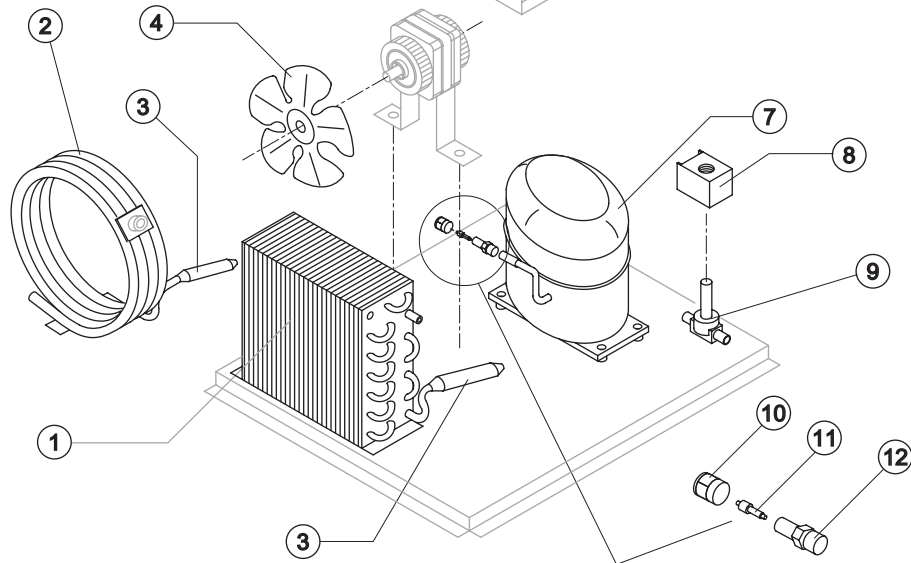
Ref. 7 - Compressor

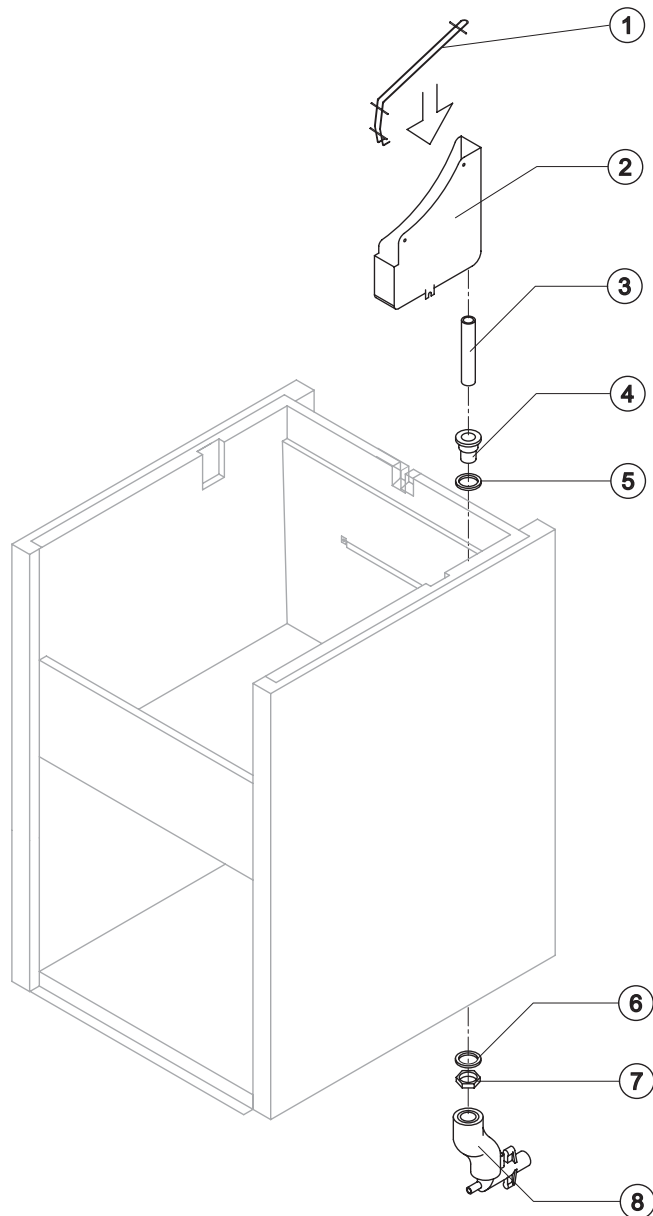
Tension	Code
T11	23505A
T12	23495A

Ref. 4 - Sucking Fan

Tension	Code
T11	20031
T12	20962

Rev. 6 - 19/07/2010





Common Parts

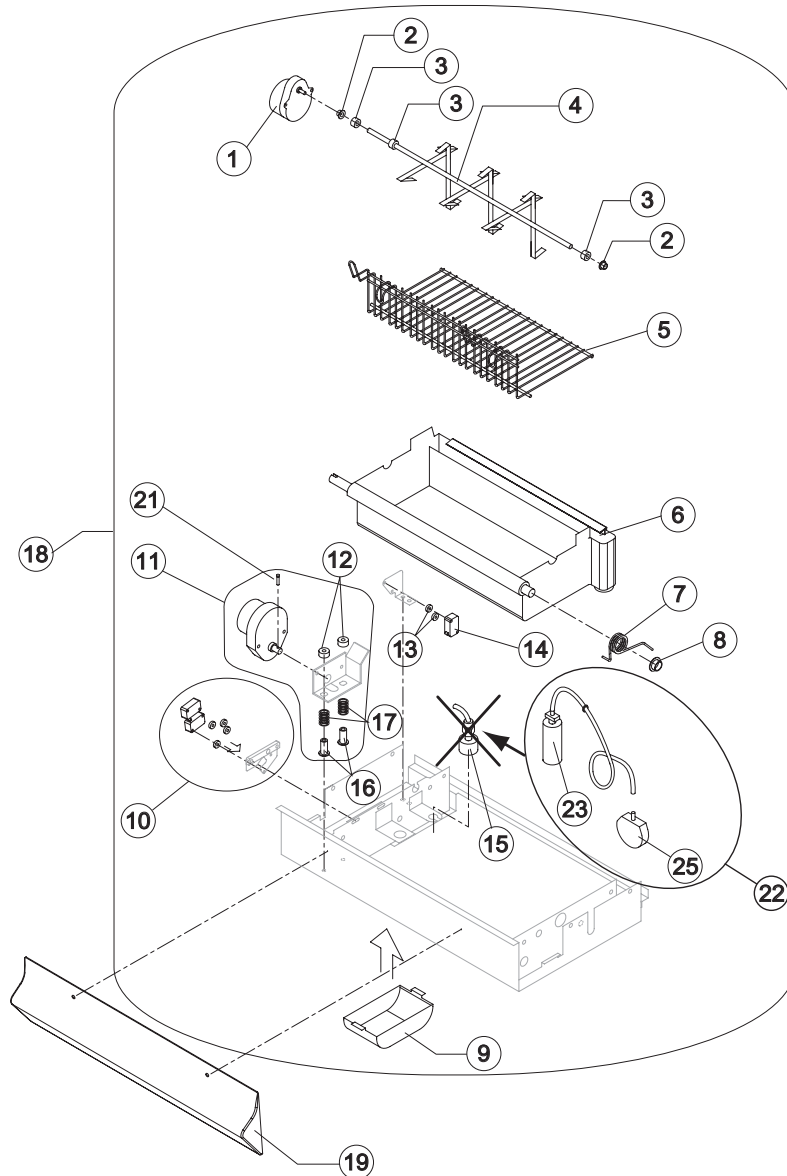
Ref.	Spare Description	Code
1	Water Collecting Basin Slide	12072
2	Water Collecting Basin	10456
3*	Water Collecting Basin Drain Pipe	13107
4	Water Outlet Nipple	10472
5	Silicone Gasket	13006
6	Semirigid Polyethylene Gasket	13007
7	Bin Discharge Nut	10096

Parts for air-Cooled Version Only

Ref.	Spare Description	Code
8	Discharges Manifold	C10006

Parts for Water-Cooled Version Only

Ref.	Spare Description	Code
8	Discharges Manifold	C26452

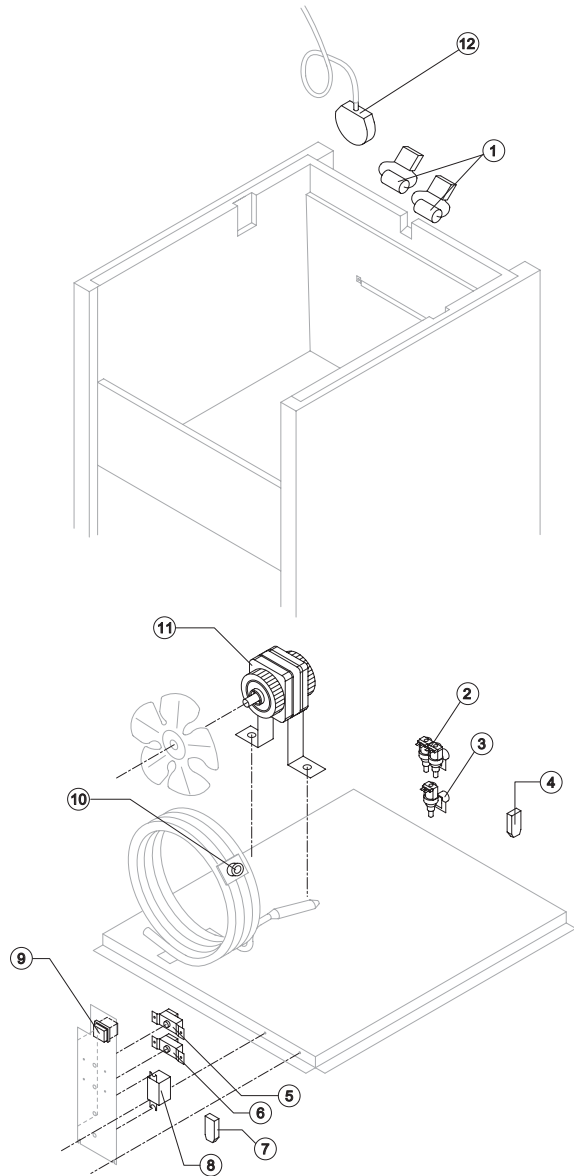


Ref.	Spare Description	Code
1*	Gearmotor (Paddles)	23801
2	Self-Lubricating Bush 06/06	20230
3	Shaft Stop Ring	20227
4*	Shaft with Paddles	20822
5	Internal Basin Slide	12076
6*	Water Basin with Pivot	RC10493
7	Spring	20810
8	Self-Lubricating Bush 12/07	20231
9	Gearmotor (Paddles) Protection	10483
10*	2 Microswitches (Basin - NC) Support Assembly	C23803
11*	Gearmotor (Turnover Basin) with Support assy	C26743
12	Special Ring	20808
13	Switch Shimming Ring	10250
14*	Microswitch (Paddles - NO)	23804
15	Electromagnetic Level Switch	replaced by ref. 22
16	Threaded Pivot	20807
17	Spring (Gearmotor Support)	20809
18	Evaporator Support Plate Assembly	C22143
19	Basin Protection	10510
21	Shaft Pin for Gearmotor (Turnover Basin)	20814
22	Water Level Pressure Switch Assy	KIT23870
23*	Air Trap with Pipe	C10537
25*	Water Level Pressure Switch	23870



IMF 80

ELECTRIC PARTS



Common Parts

Ref.	Spare Description	Code
1*	Capacitor 0,068 μ F	C23798
4	Anti Radio Interference Filter	Only T11 C23458
5*	Condenser Pressure Switch	23175
6*	Bin Thermostat	R23005
8*	Relay	23190
9*	Green Light Switch (On-Off)	23327
12*	Water Level Pressure Switch	23870

Parts for Air-Cooled Version Only

Ref.	Spare Description	Code
3*	1 Way- Water Inlet Valve	23220
7	Anti Radio Interference Filter	Only T11 C23459
11*	Fan Motor	23067

Parts for Water-Cooled Version Only

Ref.	Spare Description	Code
2*	2 Ways- Water Inlet Valve	23501
7	Anti Radio Interference Filter	Only T11 C23457
10*	Safety Thermostat Switch	C23114