



# MUSTER 350 SPLIT

# LIST OF THE EXPLODED VIEWS



*SHELL ASSY*

*EVAPORATOR 2nd version*

*EVAPORATOR 1st version*

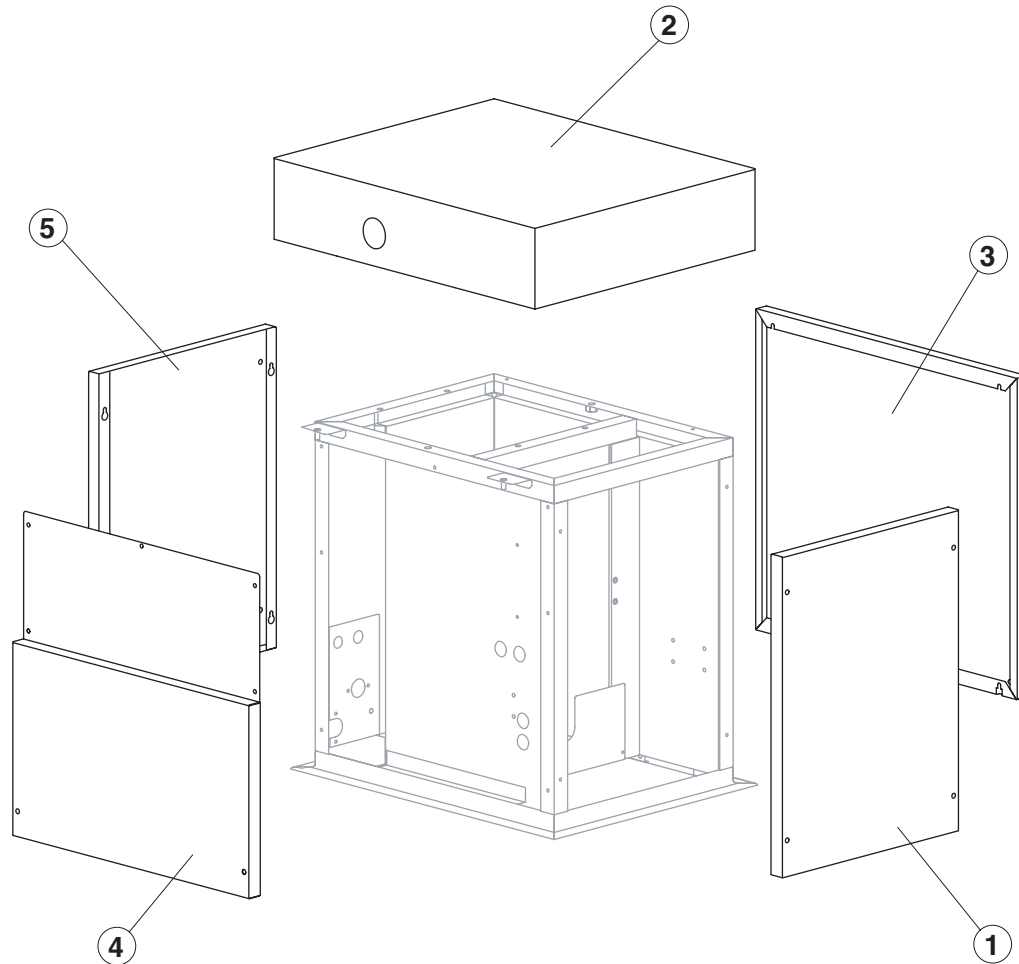
*PUMP*

*ELECTRIC PARTS*



# MUSTER 350 SPLIT

# SHELL ASSY



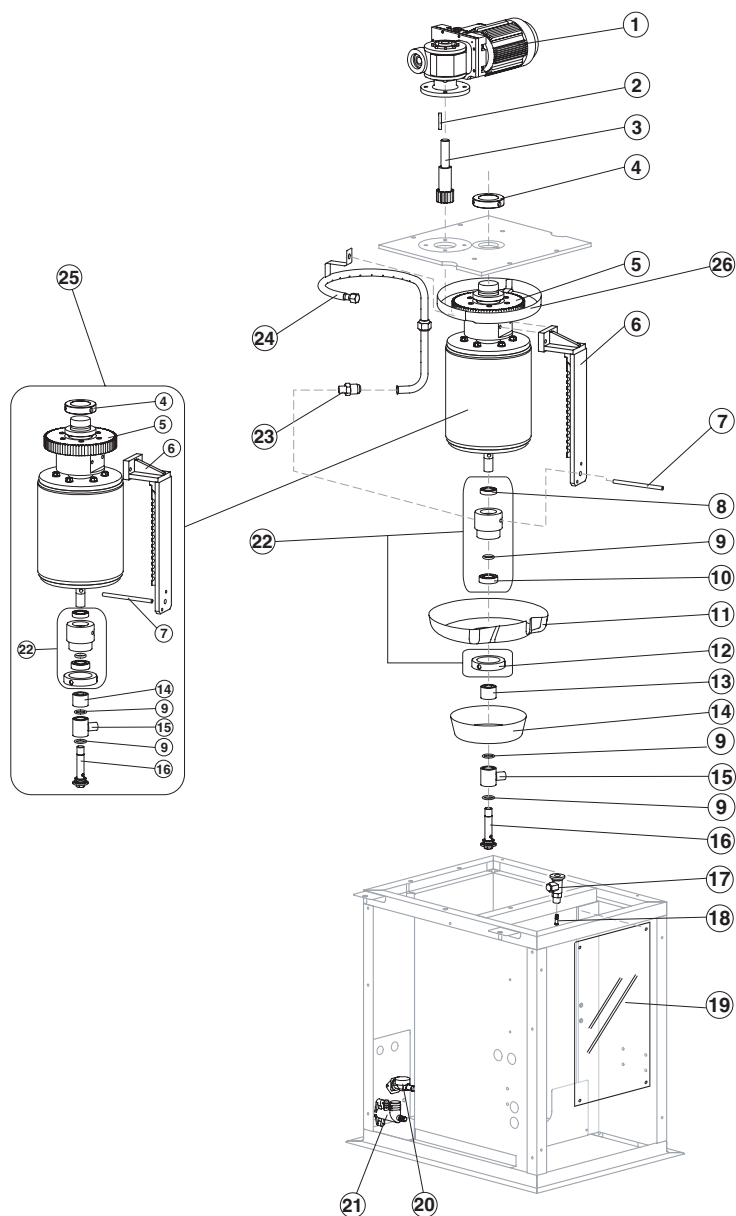
<i>Ref.</i>	<i>Spare Description</i>	<i>Code</i>
1	Front Panel	22469
2	Top Assembly	C22990
3	Right Side Panel	22425
4	Left Side Panel	22989
5	Rear Panel	22991



# MUSTER 350 SPLIT

2nd version from s/n. 379871

# EVAPORATOR



Ref.	Spare Description	Code
1	Gearmotor Assy	C23412
2	Key 6x6x40	20350
3	Pinion with Shaft for Gearmotor	C20344
4	Cylinder Locking Ring Nut	20324
5	Ring Gear	20354
6	Scraper	Current Version 20846
6	Scraper	Till s/n. 379870 20330
7	M8 Tie Rod (to Block Scraper)	20329
8	Stainless Steel Bearing	20531
9	Silicone OR 4081 in Ring	20338
10	Stainless Steel Bearing	20045
11	Rotating Basin	10184
12	Ring Nut for Rotating Ring	10182
13	Spacer	Current Version 10519
13	Spacer	Till s/n. 379870 20321
14	Fixed Basin	C10598
15	Water Inlet Ring	20851
16	Screw	20849
17	Expansion Valve	20734
18	Orifice	Current Version 20943
18	Orifice	Till s/n. 471184 20797
19	Evaporator Chamber Shield	Current Version 10523
19	Evaporator Chamber Shield	Till s/n. 379870 10187
20	1 Way- Water Inlet Nipple	10368
21	Discharge Manifold	10580
22	Complete Rotating Ring	C10180
23	Joint	20335
24	Sprayer Ring	Current Version C20858
24	Sprayer Ring	Till s/n. 379870 C20319
25	Evaporator	Current Version C20844
25	Evaporator	Till s/n. 379870 KITNEVM350
26	Ring Gear Cover	From s/n. 551986 C10629

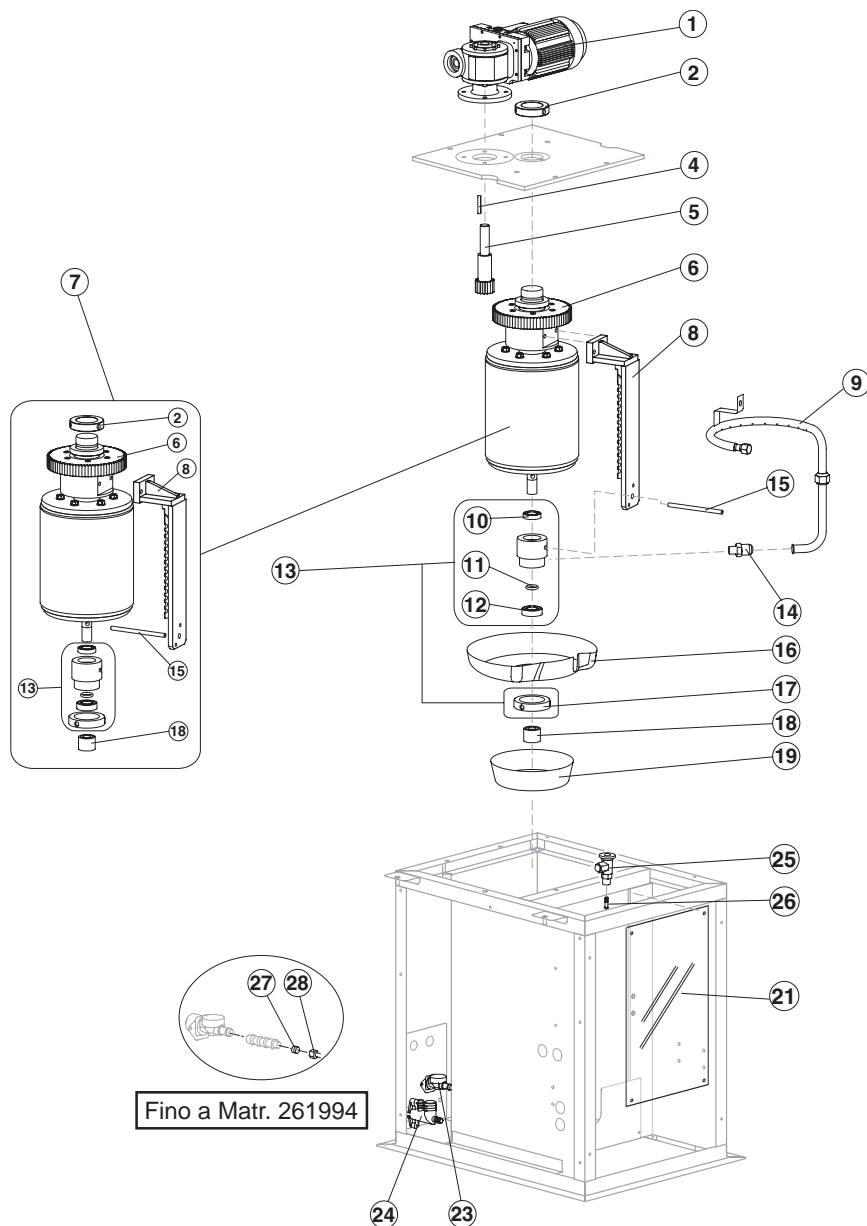
Rev. 9 - 23/06/2011



# MUSTER 350 SPLIT

1st version till s/n. 379870

# EVAPORATOR



Ref.	Spare Description	Code	
1	Gearmotor Assy	C23412	
2	Cylinder Locking Ring Nut	20324	
4	Key 6x6x40	20350	
5	Pinion with Shaft for Gearmotor	C20344	
6	Ring Gear	20354	
7	Evaporator	KITNEVM350	
8	Scraper	20330	
9	Sprayer Ring	C20319	
10	Stainless Steel Bearing	20531	
11	Silicone OR 4081 in Ring	20338	
12	Stainless Steel Bearing	20045	
13	Complete Rotating Ring	C10180	
14	Joint	20335	
15	M8 Tie Rod (to Block Scraper)	20329	
16	Rotating Basin	10184	
17	Ring Nut for Rotating Ring	10182	
18	Spacer	20321	
19	Fixed Basin	C10185	
21	Evaporator Chamber Shield	10187	
23	1 Way- Water Inlet Nipple	10368	
24	Discharge Manifold	10580	
25	Expansion Valve	20734	
26	Orifice	20797	
27	Bush	Till s/n. 261994	20405
28	Nut	Till s/n. 261994	20404

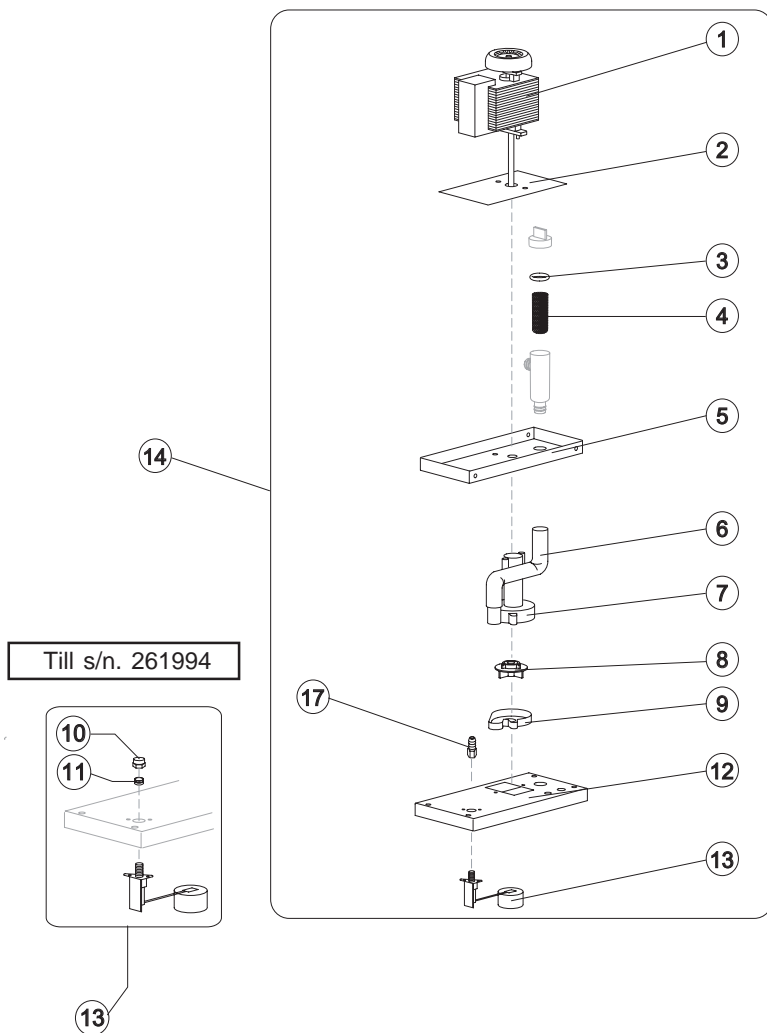
Rev. 9 - 23/06/2011



# MUSTER 350 SPLIT

# PUMP

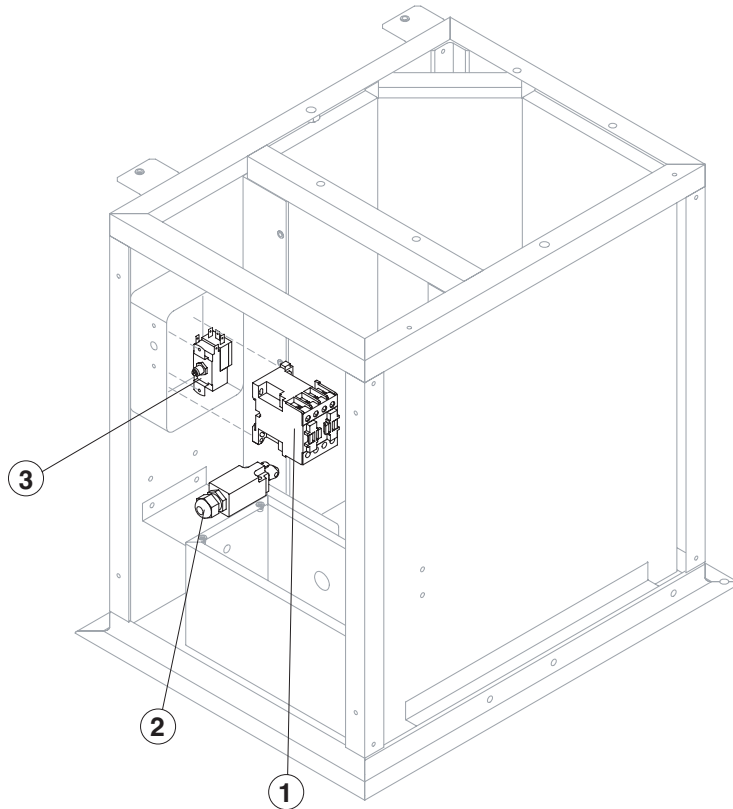
Rev. 9 - 23/06/2011



Ref.	Spare Description	Code
1	Pump	23073
2	Heat Dissipator	22430
3	Pump Filter Gasket	13080
4	Filtering Element	20254
5	Pump Motor Support	10161
6	Pump-Filter Connection Pipe	13084
7	Pump Body	10065
8	Pump Impeller	10190
9	Diffusor	10067
10	Nut	Till s/n. 261994 20404
11	Bush	Till s/n. 261994 20405
12	Water Pump Basin Cover	22420
13*	Floating Valve	Current Version 10188
13	Floating Valve Assy	Till s/n. 261994 C10188
14*	Pump and Filter Assy	Current Version C26736
14	Pump and Filter Assy	Till s/n. 379870 C26557
17	Connection	20799



Ref. 14 - For ice-makers with s/n. before 261995 ask also the Nut (ref. 10) and the Bush (ref. 11).



Ref.	Spare Description	Code
1*	Contacteur	23594
2	Microswitch for Overflow Ice	23746
3*	Bin Thermostat	R23005