



TM 450

LIST OF THE EXPLODED VIEWS



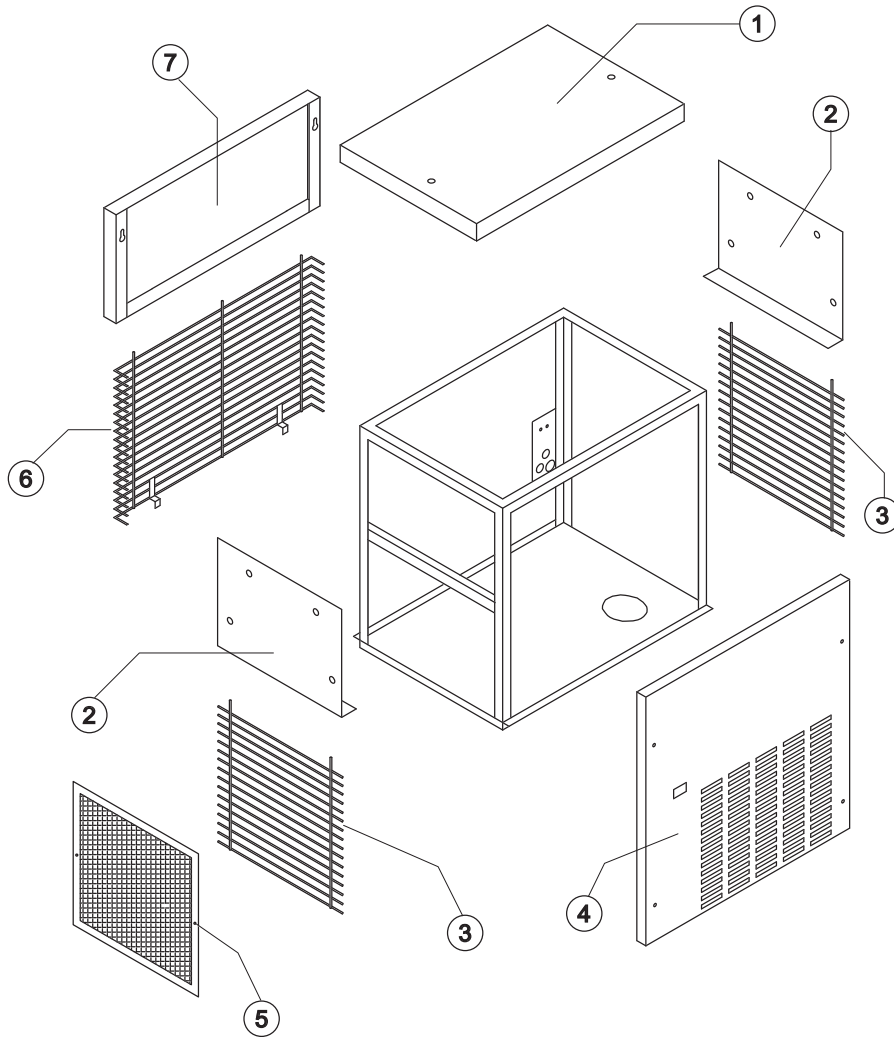
SHELL ASSY

COOLING SYSTEM

EVAPORATOR

HYDRAULIC CIRCUIT

ELECTRIC PARTS

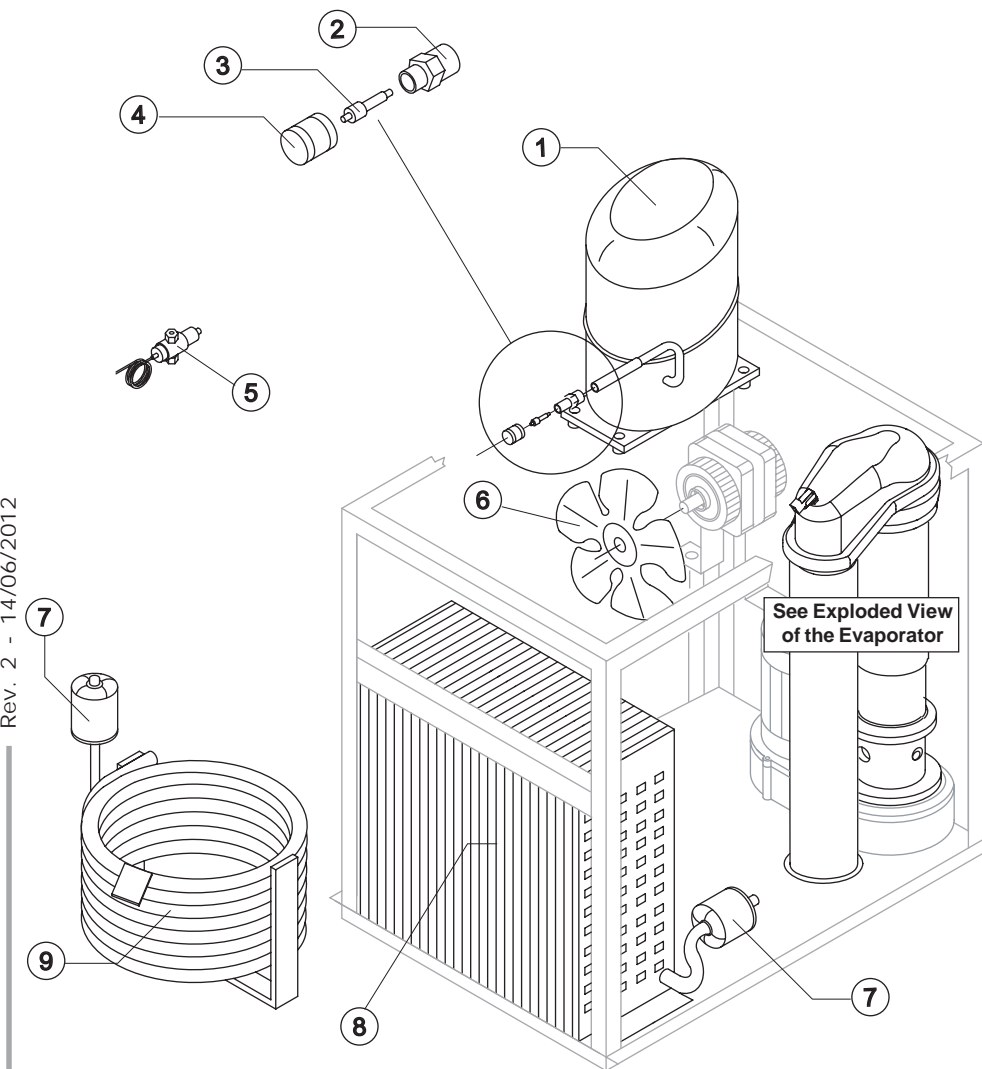


Common Parts

Ref.	Spare Description	Code
1	Top	221122
2	Right/Left Side Panel	22663
3	Lateral Grid	D12061
4	Front Panel Assembly	221138
6	Rear Grid	D12060
7	Rear Panel	22665

Parts for Air-Cooled Version Only

Ref.	Spare Description	Code
5*	Filter	18163



Rev. 2 - 14/06/2012

Common Parts

Ref.	Spare Description	Code
1	Compressor	See Table
2	Vacuum-Charge Valve Body	14007
3*	Vacuum-Charge Valve Device	14005
4*	Vacuum-Charge Valve Plug	14006
7*	Solid Core Drier	14084

Parts for Air-Cooled Version Only

Ref.	Spare Description	Code
6	Sucking Fan	20407
8	Air Condenser	20675

Parts for Water-Cooled Version Only

Ref.	Spare Description	Code
5	Pressostatic Valve	20210
6	Sucking Fan	10213
9	Water Condenser	14507

Ref. 1 - Compressor

Voltage	Code
T11	23543
T12	23642
T15	23588
T18	23642



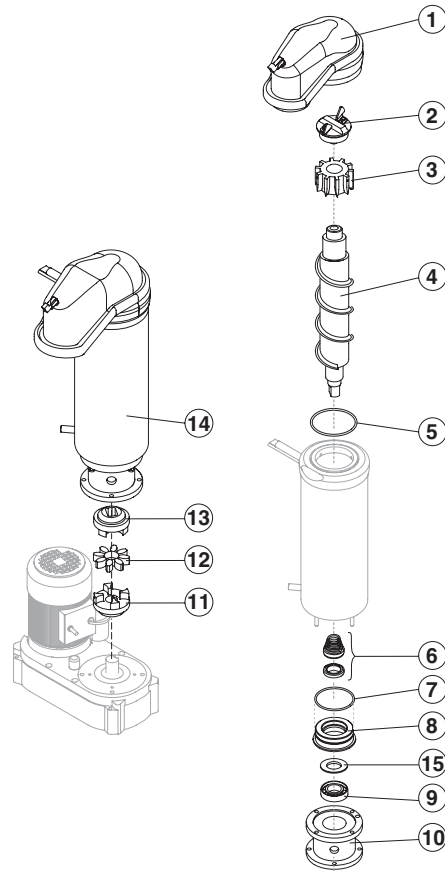
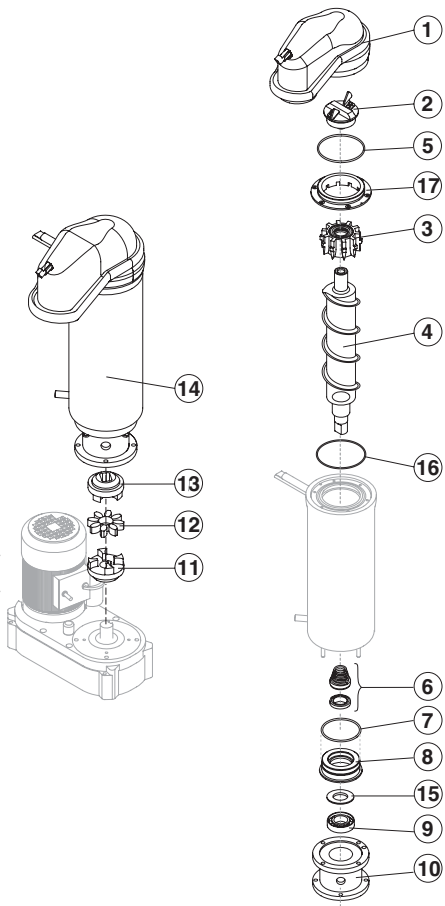
TM 450

EVAPORATOR

Current Version

Till s/n. 585283

Rev. 2 - 14/06/2012



Ref.	Spare Description (Current Version)	Code
1	Ice Exhaust with Micro Assy	C11169
2	Ice Breaker	C20948
3	Extruder with bearings	C201013
4	Auger	201015
5	OR Gasket 4400	20955
6	Ceramic Seal	20643
7	OR Gasket 4312 NBR70	20205
8	Reduction Ring	201016
9	Bearing	201017
10	Flange	20644
11	Lower Joint	D20493
12	Elastomer	20494
13	Upper Joint	D20642
14	Evaporator Assy	C11171
15	Nilos Ring	201018
16	OR Gasket 3425	201019
17	Extruder cover	201014

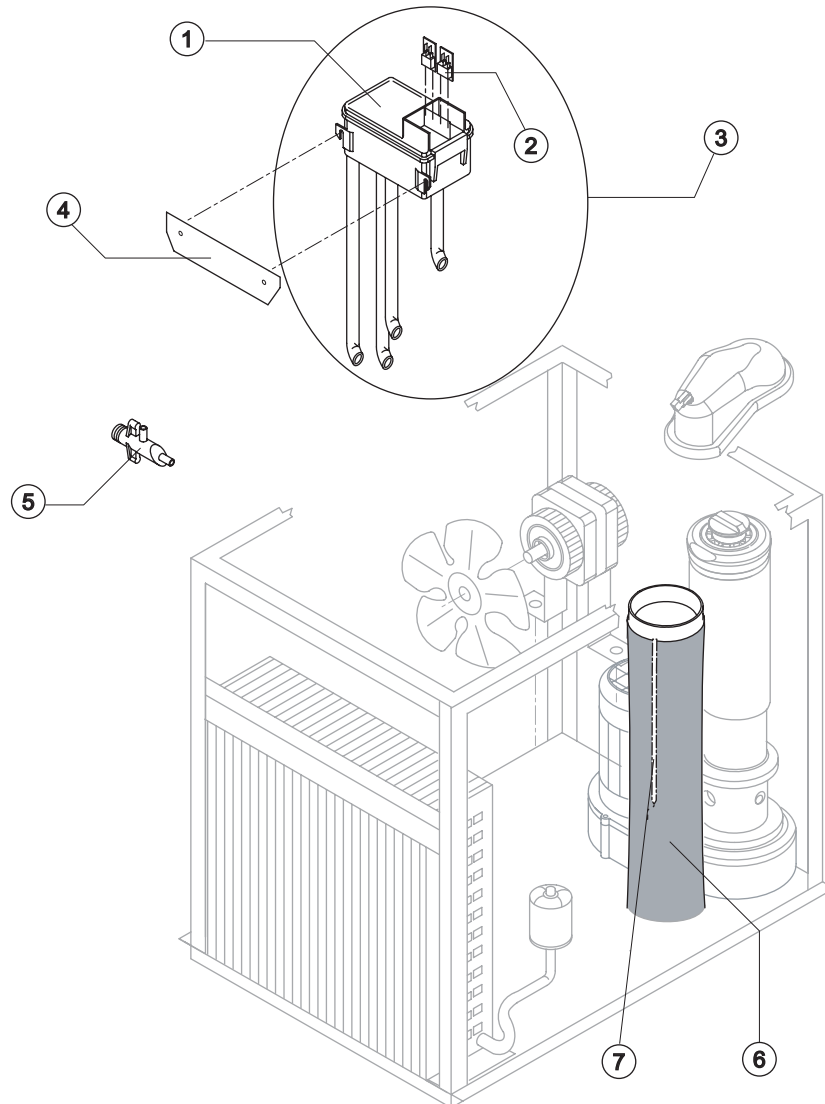
Ref.	Spare Description (Till s/n. 585283)	Code
1	Ice Exhaust with Micro Assy	C11163
2	Ice Breaker	C20948
3	Extruder with bushing	C20949
4	Auger	20947
5	OR Gasket 4400	20955
6	Ceramic Seal	20643
7	OR Gasket 4312 NBR70	20205
8	Reduction Ring	20647
9	Bearing	20954
10	Flange	20644
11	Lower Joint	D20493
12	Elastomer	20494
13	Upper Joint	D20642
14	Evaporator Assy	C11160
15	Nilos Ring	20996

From s/n. 519637



TM 450

HYDRAULIC CIRCUIT



Common Parts

Ref.	Spare Description	Code
1	Double Switch Basin	10145
2	Microswitch	23055
3*	Double Switch Basin Assembly	C10314
4	Basin Support Plate	21133
6	Ice Outlet Pipe Assy	C10592
7	Bin Bulb Holder	20621

Parts for Air-Cooled Version Only

Ref.	Spare Description	Code
5	Discharges Manifold	10579

Parts for Water-Cooled Version Only

Ref.	Spare Description	Code
5	Discharges Manifold	C10053

Rev. 2 - 14/06/2012



TM 450

ELECTRIC PARTS

Common Parts

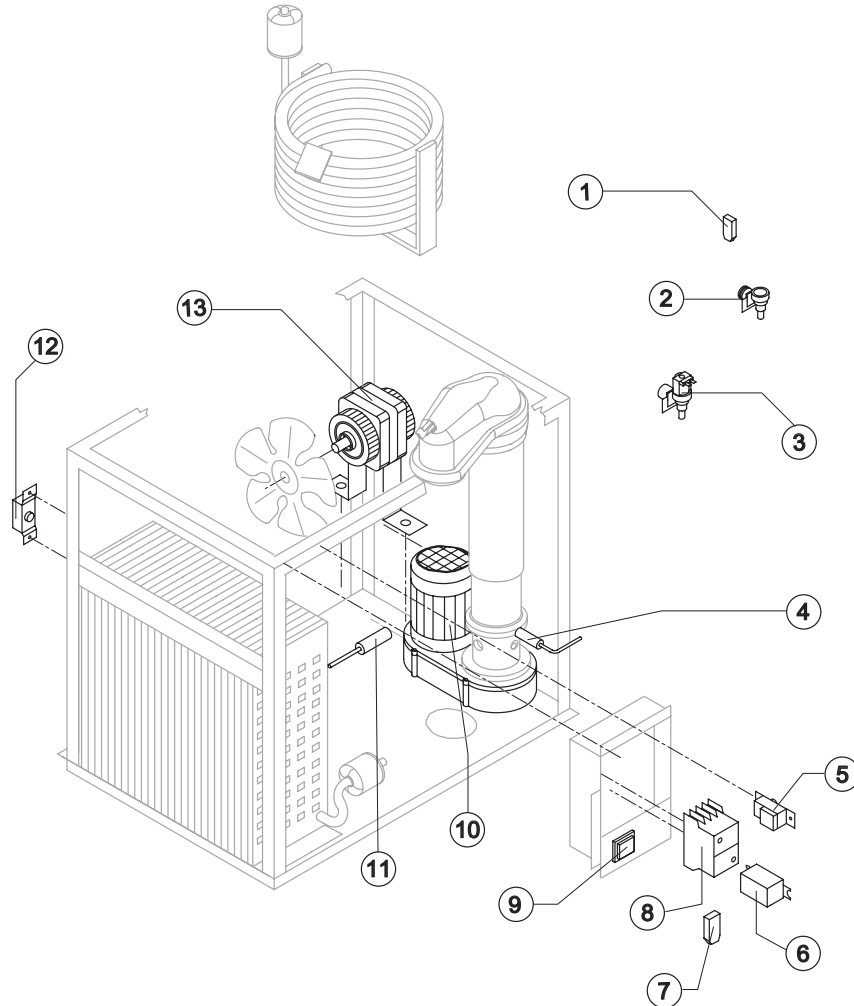
Ref.	Spare Description	Code
1	Anti Radio Interference Filter	C23457
3*	1 Way- Water Inlet Valve	23115
4*	Rotation Sensor	R23676
5*	Bin Thermostat	R23421
8*	Contactor	See Table
9*	Green Light Switch (On-Off)	23327
10	Gearmotor	See Table
11	Low pressure safety switch	23909
12	Safety Pressure Switch	23342

Parts for Air-Cooled Version Only

Ref.	Spare Description	Code
6*	Condenser Pressure Switch	See Table
7	Anti Radio Interference Filter	C23459
13*	Fan Motor	23121

Parts for Water-Cooled Version Only

Ref.	Spare Description	Code
2*	1 Way- Water Inlet Nipple	10368
13*	Fan Motor	See Table



Ref. 6* - Cond. Pressure Switch

Voltage	Code
T11	23175
T12	23175
T15	23175
T18	23680

Ref. 8* - Contactor

Voltage	Code
T11	23147
T12	23963
T15	23147
T18	23963

Ref. 10 - Gearmotor

Voltage	Code
T11	23638
T12	23638
T15	23638
T18	23853

Ref. 13* - Fan motor - Water cooled version

Voltage	Code
T11	23029
T12	23029
T15	23029
T18	23682

Rev. 2 - 14/06/2012