



VM 1700

LIST OF THE EXPLODED VIEWS



SHELL ASSY

COOLING SYSTEM

HYDRAULIC CIRCUIT

SPRAYER PUMP

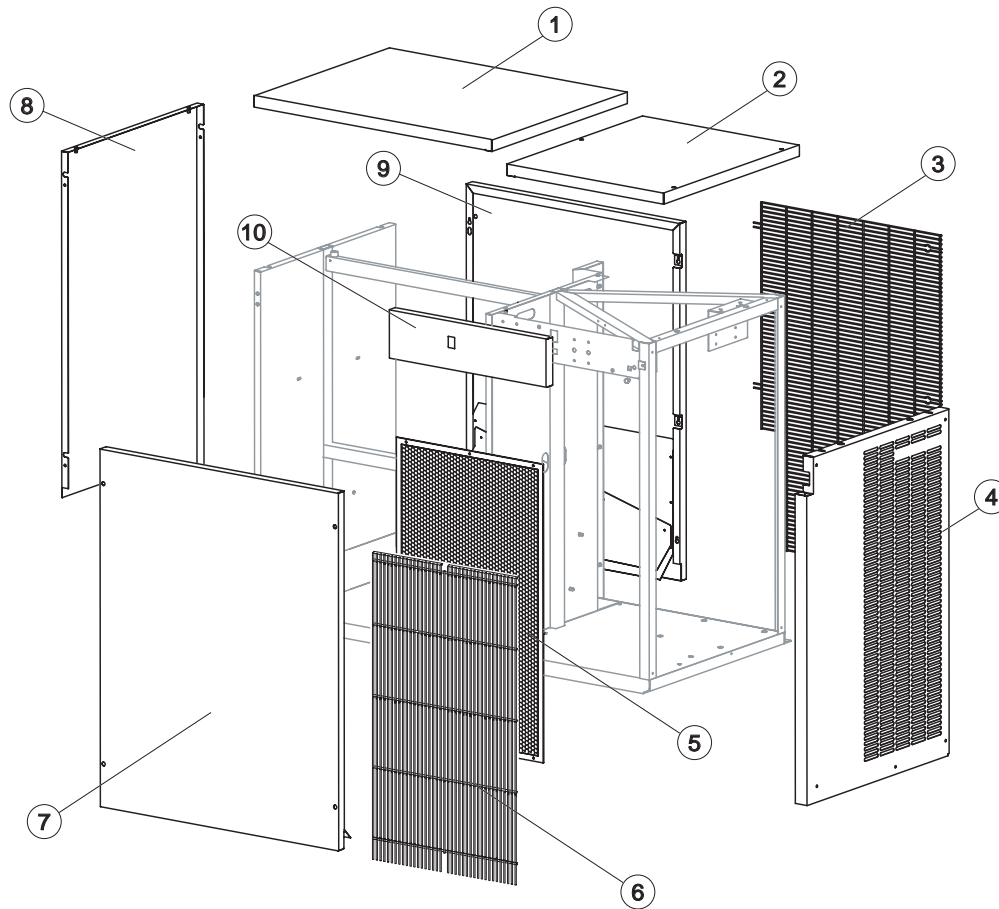
ELECTRIC PARTS

Rev. 3 - 22/06/2011



VM 1700

SHELL ASSY

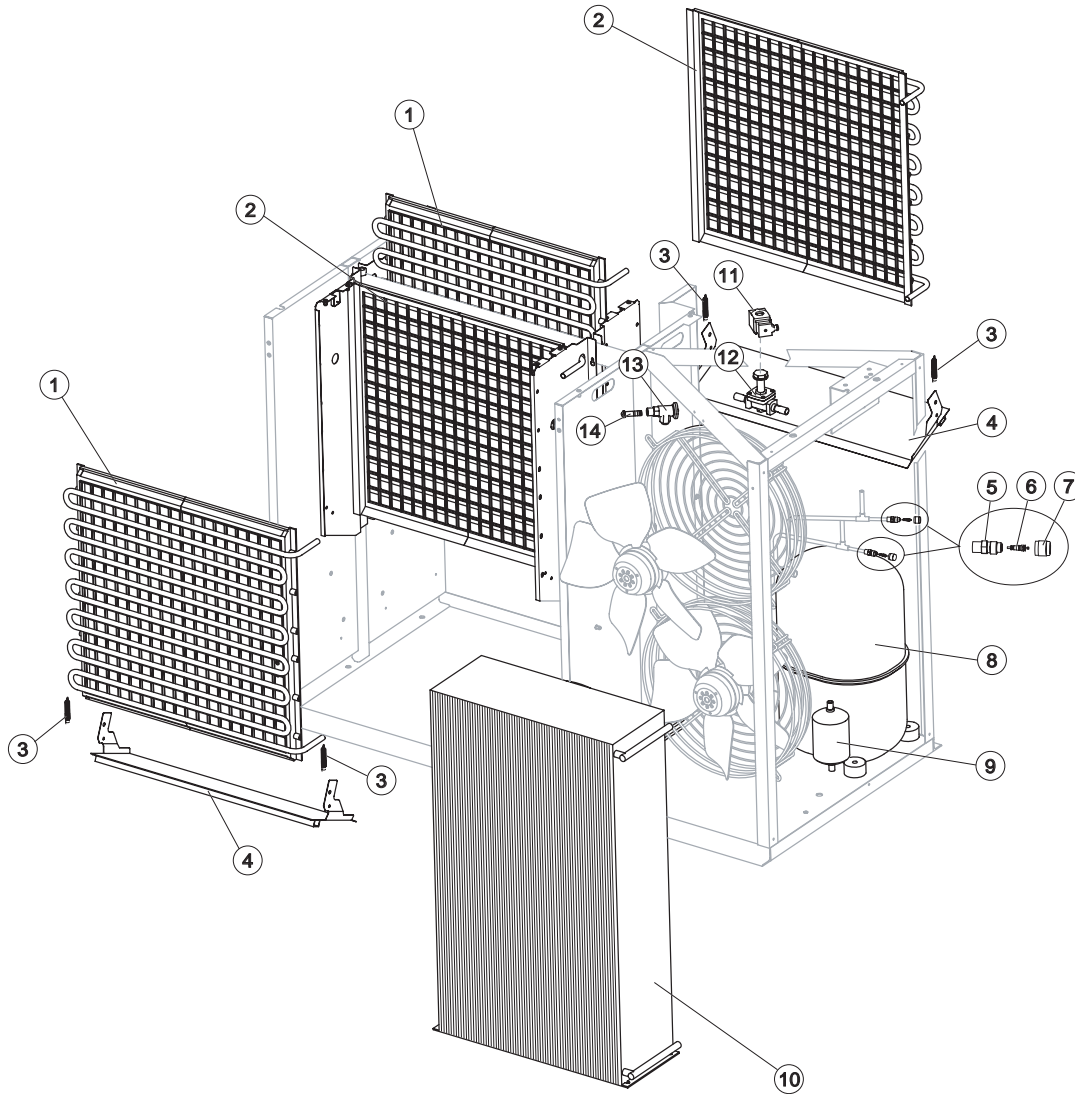


Ref.	Spare Description	Code
1	Top-Evaporator Side	C22371
2	Top-Condenser Side	22370
3	Rear Grid	12077
4	Right Side Panel	22364
5*	Filter	18192
6	Front Grid	12079
7	Front Panel Assembly	C22368
8	Left Side Panel	22366
9	Rear Panel Assembly	C22367
10	Electrical Box Cover Panel	22623

Rev. 3 - 22/06/2011



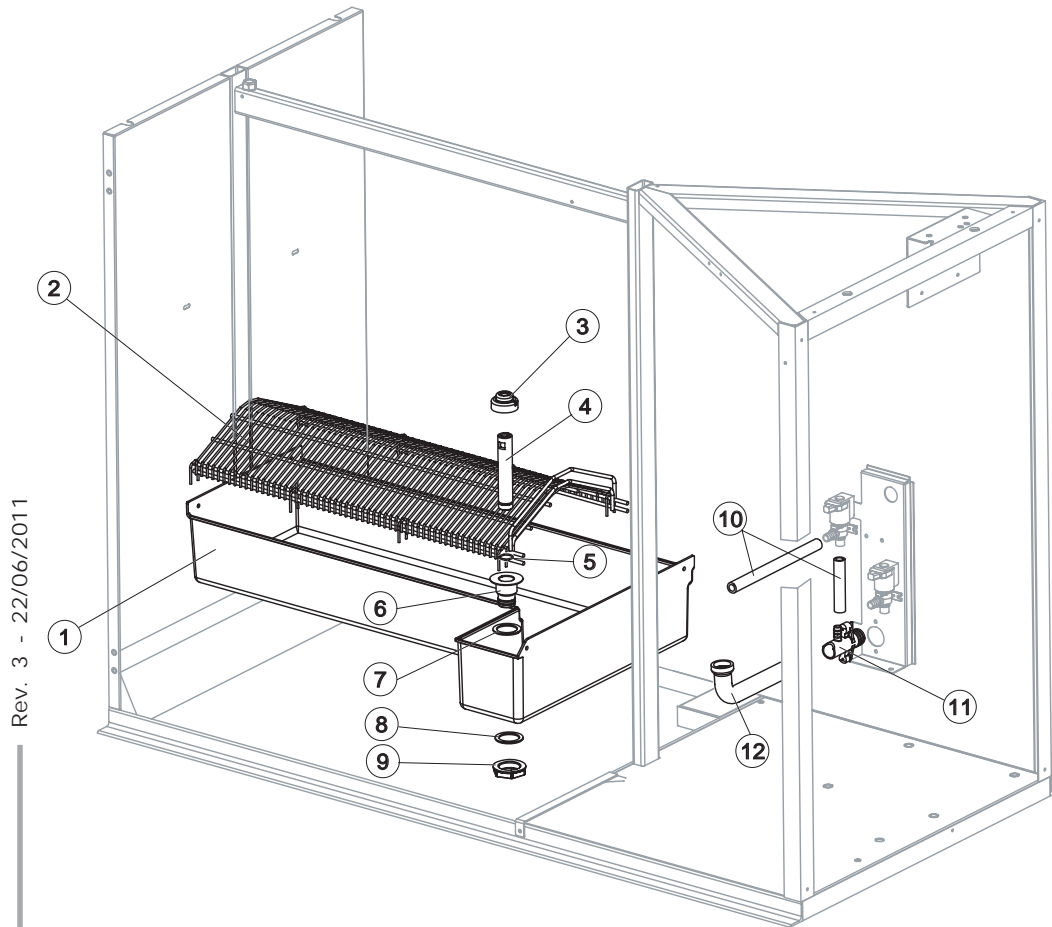
Rev. 3 - 22/06/2011



Ref.	Spare Description	Code	
1	Evaporator (Front)	D10504	
2	Evaporator (Back)	D10505	
3	Spring	20464	
4	Horizontally Hinged Panel	22385	
5	Vacuum-Charge Valve Body	14007	
6*	Vacuum-Charge Valve Device	14005	
7*	Vacuum-Charge Valve Plug	14006	
8	Compressor	See Table	-
9*	Solid Filter	14255	
10	Air Condenser	20830	
11*	Hot Gas Valve Coil	23091	
12*	Hot Gas Valve Body	20832	
13	Expansion Valve	20826	
14	Orifice	Current Version	20794
14	Orifice	Till s/n. 471749	20794

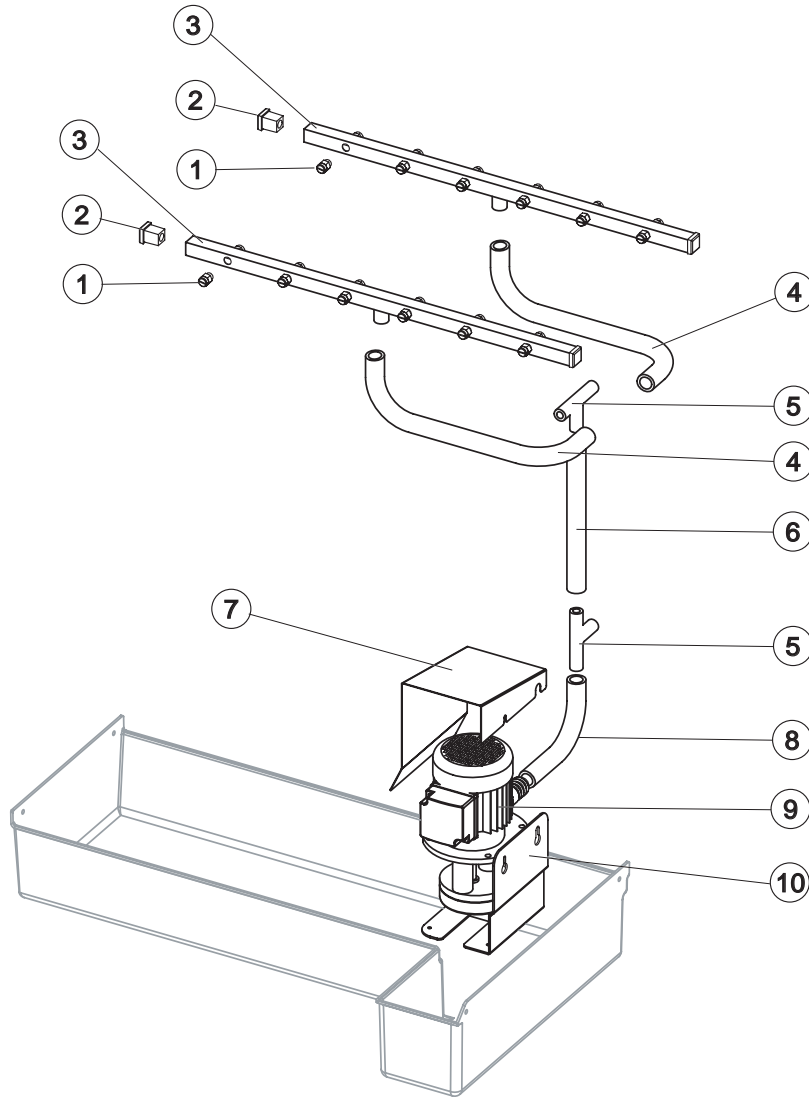
Ref. 8 - Compressor

Voltage	Code
T15	23817
T16	23824



Rev. 3 - 22/06/2011

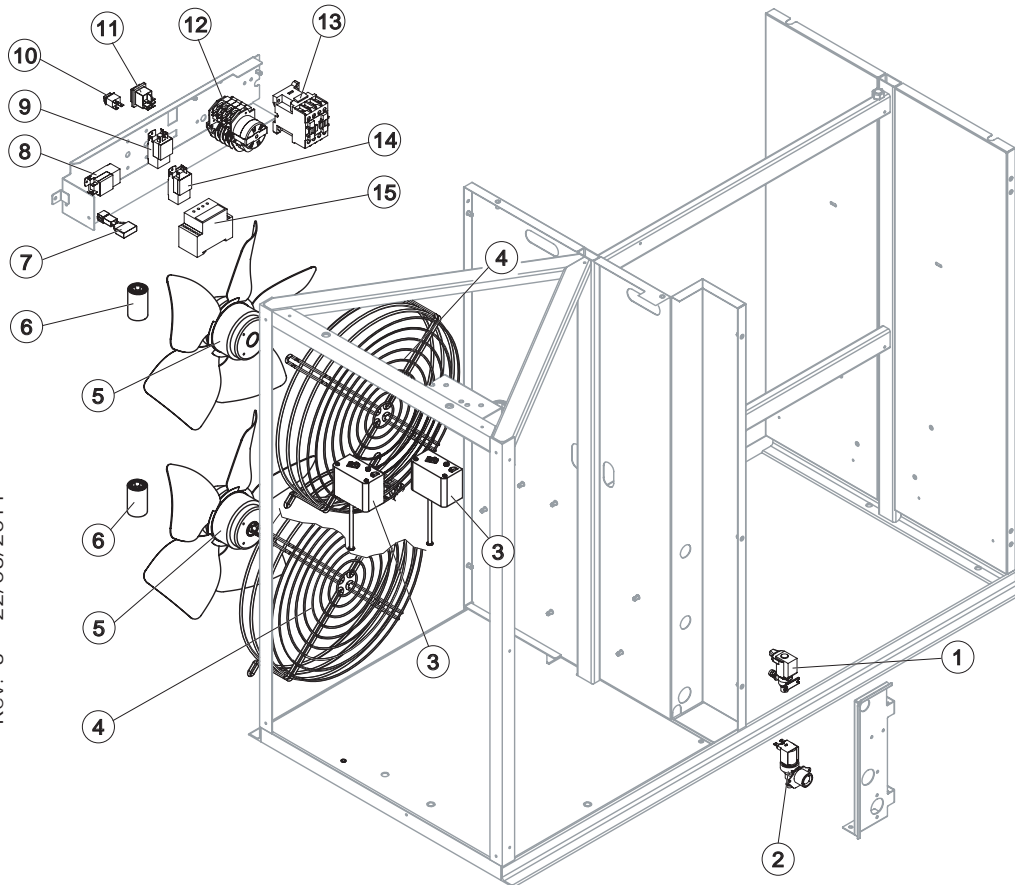
Ref.	Spare Description	Code
1	Water Basin	10501
2	Ice Cubes Slide	D12078
3*	Overflow Cap	10305
4*	Overflow Pipe	10399
5*	OR Gasket for Overflow Pipe	20233
6	Overflow Pipe Nipple	10472
7	Silicone Gasket	13006
8	Semirigid Polyethylene Gasket	13007
9	Bin Discharge Nut	10096
10	Connection Pipe	13102
11	Discharge Nipple	10431
12	Basin Discharge Pipe	13059



Ref.	Spare Description	Code
1	Sprayer	D20002
2	Sprayer Bar Plug	10012
3*	Sprayer Bar Assembly	C20617
4	Sprayer Bar Connection Pipe	13134
5	Plastic "T" Joint - ø 20	10082
6	Connection Pipe	13111
7	Pump Protection Panel	22377
8	Connection Pipe	13005
9*	Pump	See Table
10	Pump Motor Support	22383

Ref. 9* - Pump

Voltage	Code
T15	23818
T16	23846



Rev. 3 - 22/06/2011

Ref.	Spare Description	Code
1*	Water Outlet Valve	23537
2*	1 Way-Water Inlet Valve	23819
3	Safety Pressure Switch	23729
4	Fan Motor Grid	12053
5*	Fan Motor	23468
6*	5µF Capacitor	23469
7	Anti Radio Interference Filter	Only T15 C23459
8*	Condenser Pressure Switch	23175
9*	Evaporator Thermostat	R23591
10	"Cleaning" Switch	23619
11*	Green Light Switch (On-Off)	23327
12*	Timer	See Table -
13*	Contactor	23398
14*	Bin Thermostat	R23005
15	Voltage Control Relay	See Table -

Ref. 12* - Timer

Voltage	Code
T15	23635
T16	23632

Ref. 15 - Voltage control relay

Voltage	Code
T15	23903
T16	23904