



C 300

LIST OF THE EXPLODED VIEWS

3rd VERSION

From s/n. 213748 till Today

2nd VERSION

From s/n. 144814 till s/n. 213747

1st VERSION

Till s/n. 144813



SHELL ASSY
(2nd/3rd Version)

COOLING SYSTEM
(2nd/3rd Version)

HYDRAULIC CIRCUIT
(3rd Version)

HYDRAULIC CIRCUIT
(2nd Version)

ELECTRIC PARTS
(2nd/3rd Version)



SHELL ASSY

COOLING SYSTEM

HYDRAULIC CIRCUIT

ELECTRIC PARTS

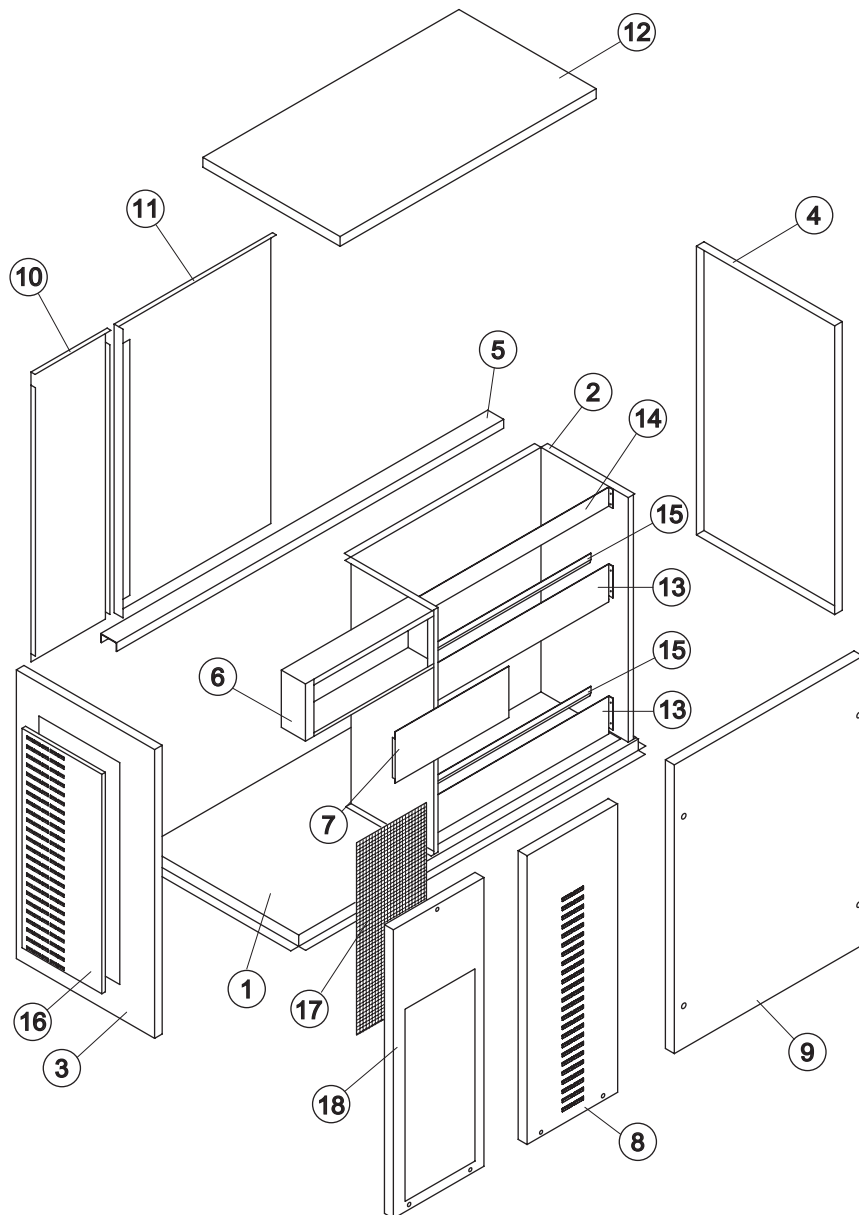
Rev. 8 - 10/09/2010



C 300

3rd Version From s/n.213748 up Today
 2nd Version From s/n.144814 To s/n.213747

SHELL ASSY



Rev. 8 - 10/09/2010

Ref.	Spare Description	Code
1	Base Plate	21240
2	Evaporator Chamber	Current Version 22889
2	Evaporator Chamber	Till s/n. 213747 22737
3	Left Side Panel	22736
4	Right Side Panel	22735
5	Cross Bar	22838
6	Electrical Box	22837
7	Electrical Parts Plate	21239
9	Front Panel (Bin Side)	C22744
10	Rear Panel (Group Side)	21288
11	Rear Panel (Bin Side)	21241
12	Top Assy	22738
13	Bulkhead	Current Version 22890
13	Bulkhead	Till s/n. 213747 22739
14	Upper Bulkhead	22809
15	Inner Basin Reinforcement	22740
16	Left Side Panel	22810

Parts for Air-Cooled Version Only

Ref.	Spare Description	Code
17*	Filter	From s/n. 217604 18178
18	Fron Panel (Group Side)	Current Version 22986
8	Fron Panel (Group Side)	Till s/n. 217603 22741

Parts for Water-Cooled Version Only

Ref.	Spare Description	Code
8	Fron Panel (Group Side)	22741

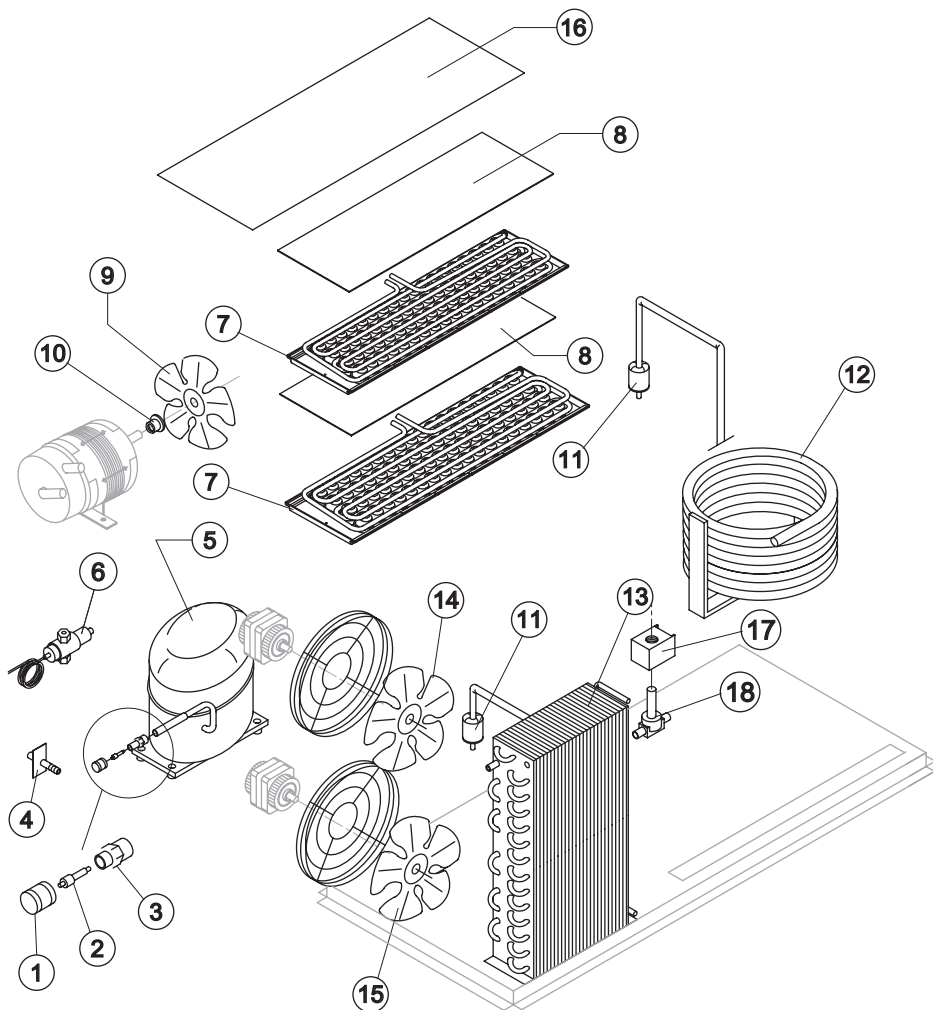


C 300

3rd Version From s/n.213748 up Today
 2nd Version From s/n.144814 To s/n.213747

COOLING SYSTEM

Rev. 8 - 10/09/2010



Common Parts

Ref.	Spare Description	Code
1*	Vacuum-Charge Valve Plug	14006
2*	Vacuum-Charge Valve Device	14005
3	Vacuum-Charge Valve Body	14007
5	Compressor	See Table -
7	Evaporator	See Table -
8	Evaporator Cover Panel	10058
9	Sucking Fan	10213
10	Fan Fixing Hub	10014
11*	Solid Core Drier	14084
16	Upper Evaporator Cover Panel	From s/n. 213748 10439
17*	Hot Gas Valve Coil	23091
18*	Hot Gas Valve Body	20409

Parts for Air-Cooled Version Only

Ref.	Spare Description	Code
13	Air Condenser	20406
14	Sucking Fan 275 / 34°	20153
15	Sucking Fan 275 / 34°	Current Version 20153
15	Sucking Fan 254 / 31°	Till s/n. 217603 20031

Parts for Water-Cooled Version Only

Ref.	Spare Description	Code
4	Rubber Holder with Plate	Current Version 20938
4	Rubber Holder with Plate	Till s/n. 459880 C20462
6	Pressostatic Valve	20149
12	Water Condenser	Current Version 14617
12	Water Condenser	Till s/n. 379929 14285

Ref. 5 - Compressor

Tension	Code Current Version	Code Till s/n. 217603
T11	23647	23489
T12	23651	23527
T14	23708	23563
T15	23709	23453
T16	23708	23563
T18	23651	-

Ref. 7 - Evaporator

Kind of Cube	Codice
18 g. (Standard)	D10214
33 g.	D10092
13 g.	D10126
42 g.	D10477



C 300

3rd Version From s/n.213748 up Today

HYDRAULIC CIRCUIT

Common Parts

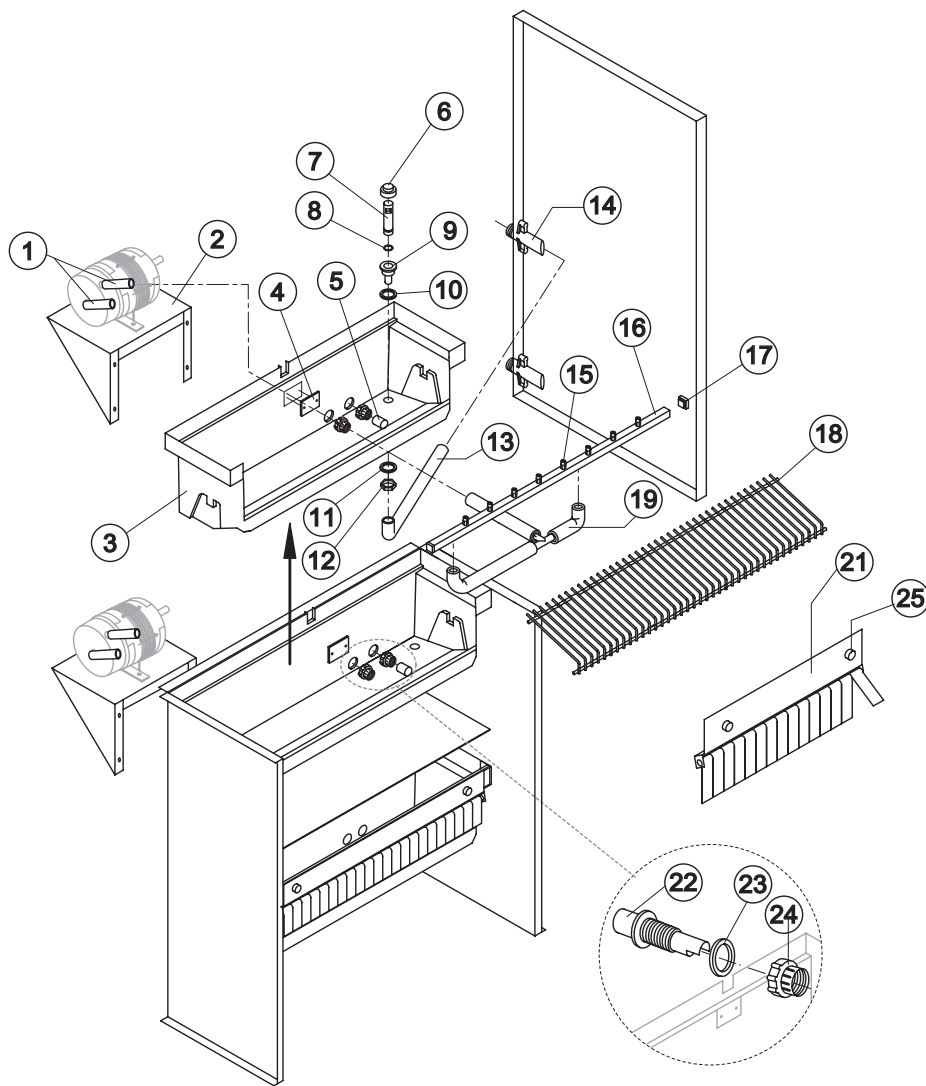
Ref.	Spare Description	Code
1	Pump Suction/Delivery Pipe	13150
2	Pump Support Plate	21277
3	Inner Basin	10440
4	Slide Keep Plate	Till s/n. 233485 10009
5*	Pump Suction Filter	20005
6	Overflow Cap	Till s/n. 243833 10305
7*	Overflow Pipe	10133
8*	OR Gasket for Overflow Pipe	20233
9	Water Outlet Nipple	10471
10	Silicone Gasket	13006
11	Semirigid Polyethylene Gasket	13007
12	Bin Discharge Nut	10096
13	Water Discharge Pipe	13054
14	Discharges Manifold	C10415
15	Sprayer	D20002
16*	Sprayers Bar Assembly	See Table -
17	Sprayers Bar Plug	10012
18	Ice Cubes Slide	See Table -
19	Sprayers Bar Pipe Connection	C13036
21	Flags Support Assy	C22134
22	Fitting of the Pump Suction/Delivery Pipes	10424
23	Gasket for Pump Suction/Delivery Pipes	13143
24	Fittings Locking Ring	10405
25	Fixing Screw	20009

Ref. 16* - Sprayers Bar Ass.

Kind of Cube	Code
18 g. (Standard)	C20144
33 g.	C20157
13 g.	C20200
42 g.	C20157

Ref. 18 - Ice Cube Slide

Kind of Cube	Code
18 g. (Standard)	D12022
33 g.	D12033
13 g.	D12040
42 g.	D12033



Rev. 8 - 10/09/2010



C 300

2nd Version From s/n.144814 To s/n.213747

HYDRAULIC CIRCUIT

Common Parts

Ref.	Spare Description	Code	
1	Pump Delivery Pipe	13133	
2	Pump Suction Pipe	13047	
3	Pump Support Plate	21277	
4	Inner Basin	10055	
5	Slide Keep Plate	10009	
6	Pump Suction Filter	20005	
7	Overflow Cap	10305	
8	Overflow Pipe	10133	
9	OR Gasket for Overflow Pipe	20233	
10	Water Outlet Nipple	10007	
11	Silicone Gasket	13006	
12	Semirigid Polyethylene Gasket	13007	
13	Bin Discharge Nut	10096	
14	Water Discharge Pipe	13067	
15	Discharges Manifold	C10415	
16	Sprayer	D20002	
17	Sprayers Bar Assembly	See Table	-
18	Sprayers Bar Plug	10012	
19	Ice Cubes Slide	See Table	-
20	Sprayers Bar Pipe Connection	C13036	
25	Flags Support Assy	C22134	
26	Fixing Screw	20009	

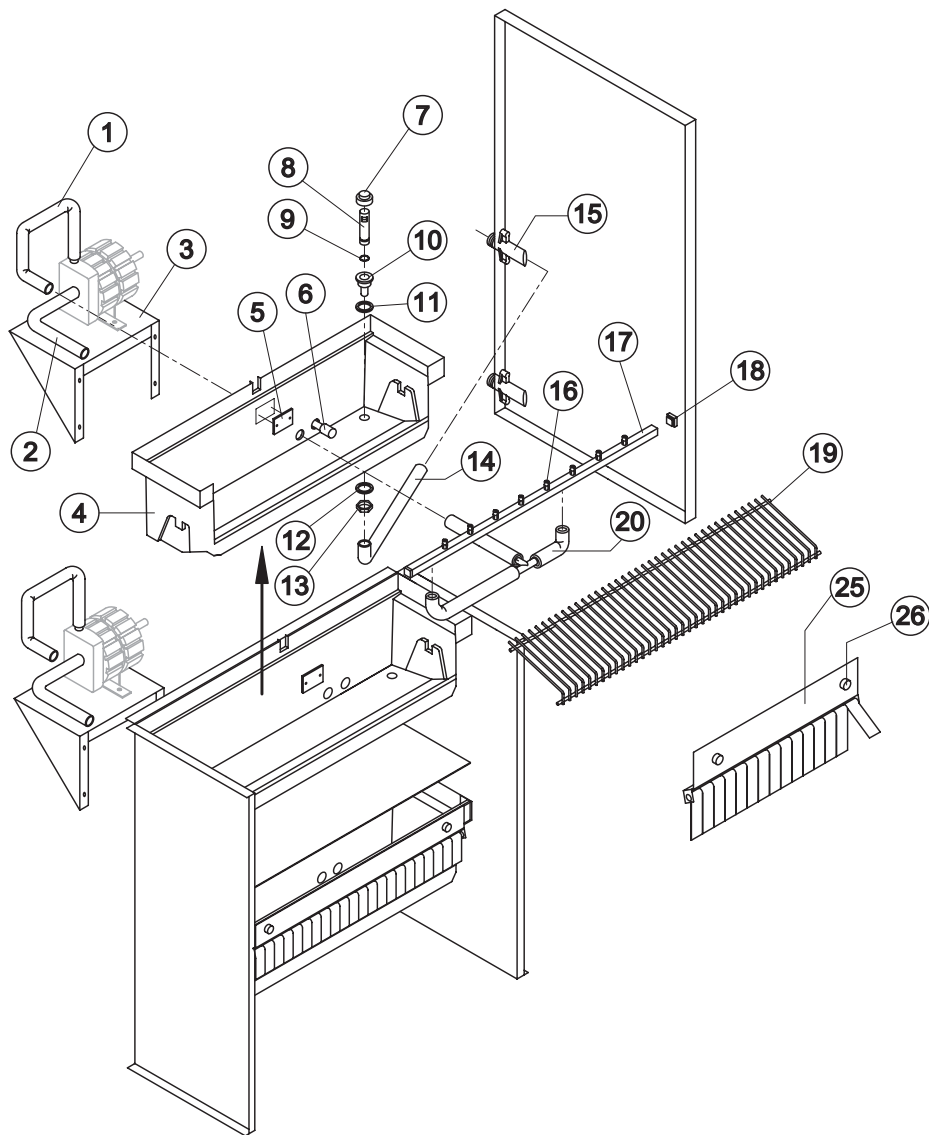
Ref. 17 - Sprayers Bar Ass.

Kind of Cube	Code
18 g. (Standard)	C20144
33 g.	C20157
13 g.	C20200

Ref. 19 - Ice Cubes Slide

Kind of Cube	Code
18 g. (Standard)	D12022
33 g.	D12033
13 g.	D12040

Rev. 8 - 10/09/2010





C 300

3rd Version From s/n.213748 up Today
 2nd Version From s/n.144814 To s/n.213747

ELECTRIC PARTS

Common Parts

Ref.	Spare Description	Code
1*	Bin Thermostat	R23421
2*	Evaporator Thermostat	R23591
3*	Timer	See Table
4*	Contactor	23147
5	Orange Light	23100
8	Safety Pressure Switch	23342
9*	2 Ways- Water Inlet Valve	23157
12*	Pump Assy	Current Version C23691
12	Pump Assy	Till s/n. 213747 C23068
15*	On/Off Rocker Switch	23327
16	Low pressure safety switch	23763

Parts for Air-Cooled Version Only

Ref.	Spare Description	Code
6	Anti Radio Interference Filter	Only T11, T14, T15 C23459
7*	Condenser Pressure Switch	See Table
13	Fan Motor	23121
14	Fan Motor	Current Version 23121
14	Fan Motor	Till s/n. 217603 See Table

Ref. 3* - Timer

Tension	18 g Cube	33 g Cube	13 g Cube	42 g Cube
T11	23247	23248	23472	23780
T12	23222	23780	23247	23780
T14	23247	23248	23472	23780
T15	23247	23248	23472	23780
T16	23222	23780	23247	23780
T18	23222	23780	23247	23780

Ref. 7* - Cond. Pressure Switch

Tension	Code
T11	23175
T12	23175
T14	23175
T15	23175
T16	23175
T18	23680

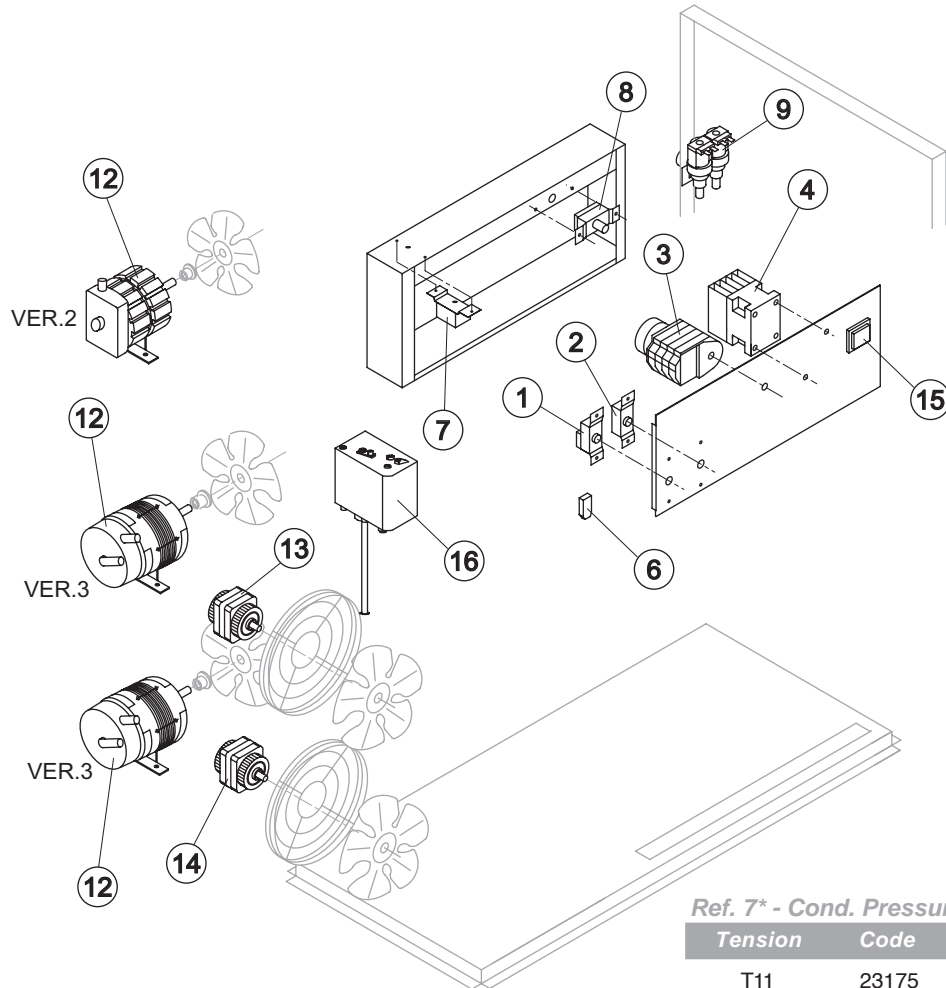
Ref. 9* - 2 Ways- Water Inlet Valve

Tension	18/13 g Cube	33 g Cube	42 g Cube
T11	23157	23157	23784
T12	23157	23784	23784
T14	23157	23157	23784
T15	23157	23157	23784
T16	23157	23784	23784
T18	23157	23784	23784

Ref. 14* - Fan Motor Till s/n. 217603

Tension	Code
T11	23067
T12	23681
T14	23067
T15	23067
T16	23681

Rev. 8 - 10/09/2010

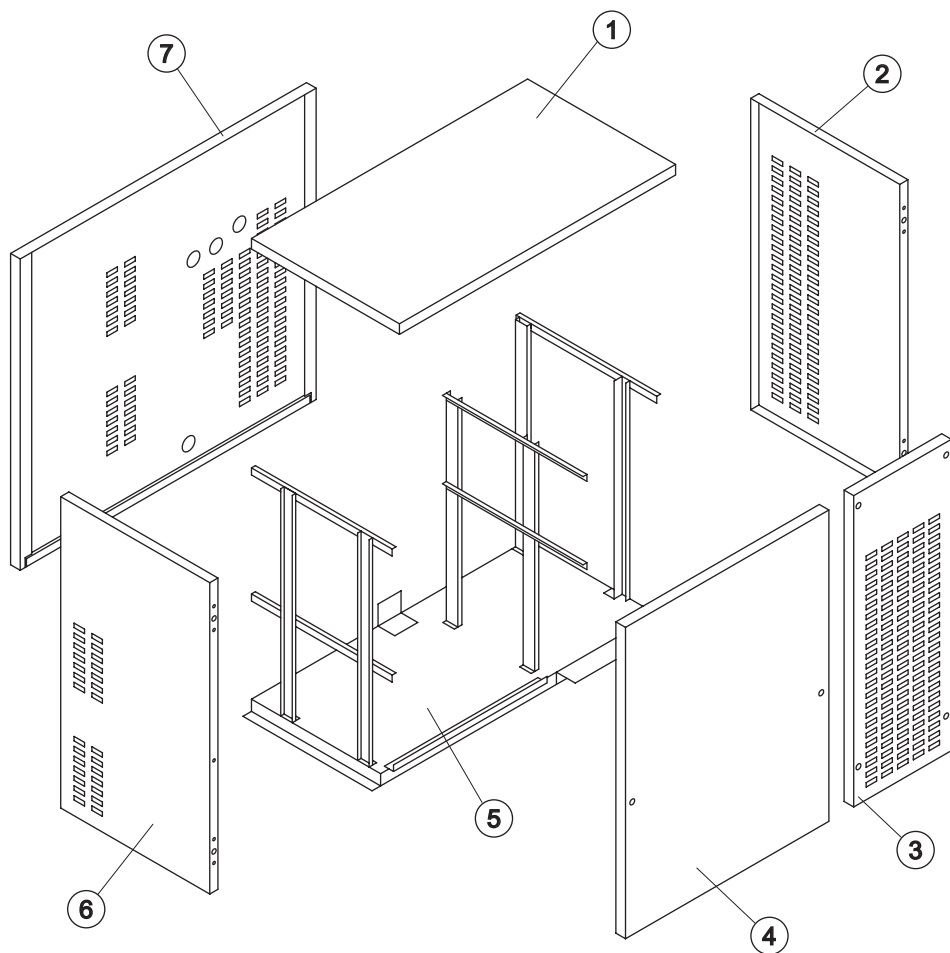




C 300

1st Version Till s/n.144813

SHELL ASSY



Ref.	Spare Description	Code
1	Top Assembly	C22481
2	Right Side	22483
3	Front Panel (Condenser Side)	22203
4	Front Panel (Basin Side)	C22432B
5	Base Plate	21110
6	Left Side Panel	22482
7	Rear Panel	22195

Rev. 8 - 10/09/2010



C 300

1st Version Till s/n.144813

COOLING SYSTEM

Common Parts

Ref.	Spare Description	Code
3	Solid Core Drier	14084
5	Compressor	See Table
6	Vacuum-Charge Valve Body	14007
7	Vacuum-Charge Valve Device	14005
8	Vacuum-Charge Valve Plug	14006
9	Evaporator	See Table
10	Evaporator Cover Panel	10058
11	Evaporator Cover Panel	10115
12	Fan Fixing Hub	10014
13	Suction Fan	10213
16	Hot Gas Valve Coil	23091
17	Hot Gas Valve Body	20409

Parts for Air-Cooled Version Only

Ref.	Spare Description	Code
4	Sucking Fan 254 / 31°	20031
14	Sucking Fan 275 / 34°	20153
15	Air Condenser	20406

Parts for Water-Cooled Version Only

Ref.	Spare Description	Code
1	Water Condenser	14285
2	Pressostatic Valve	20149

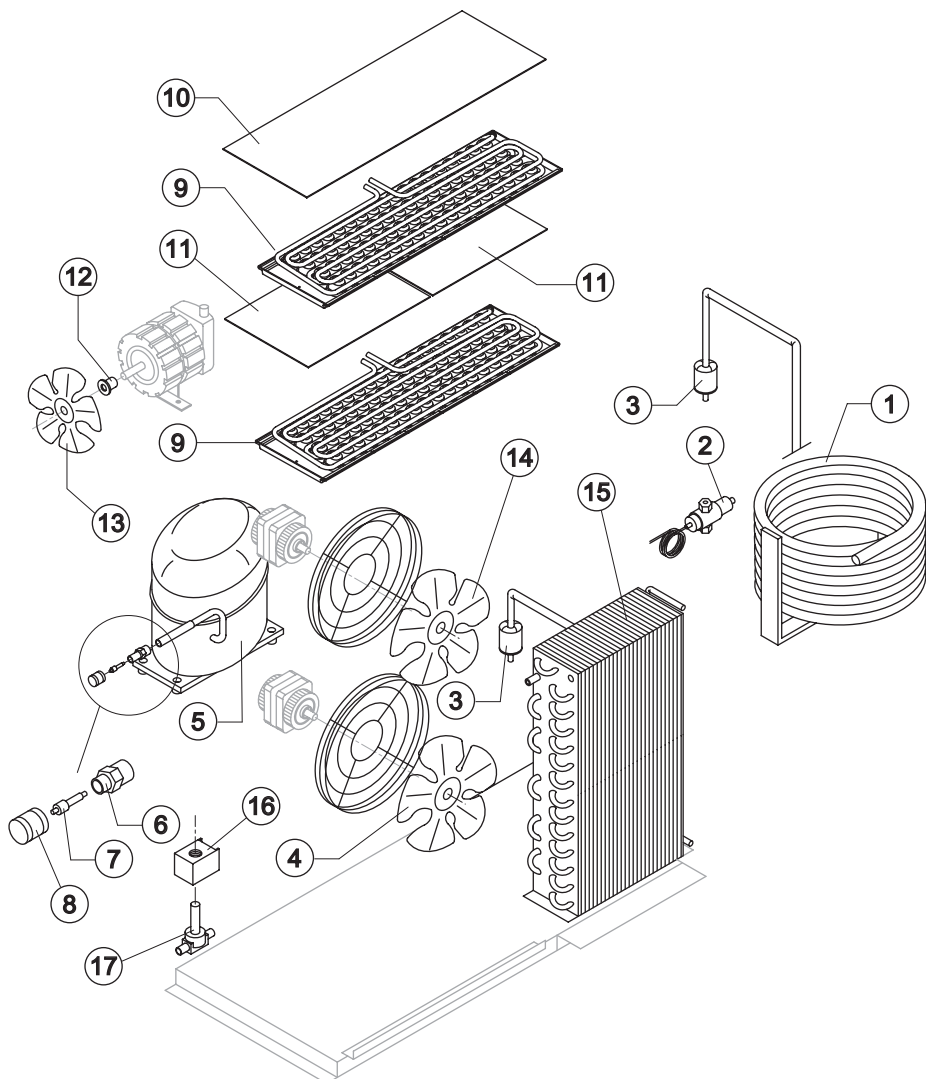
Ref. 5 - Compressor

Tension	Code
220/240V 50 Hz	23489
220/230V 60 Hz	23527
230V 3 50 Hz	23563
400V 3N 50 Hz	23453
220/230V 3 60 Hz	23563

Ref. 9 - Evaporator

Kind of Cube	Code
18 g. (Standard)	D10214
33 g.	D10092
13 g.	D10126

Rev. 8 - 10/09/2010

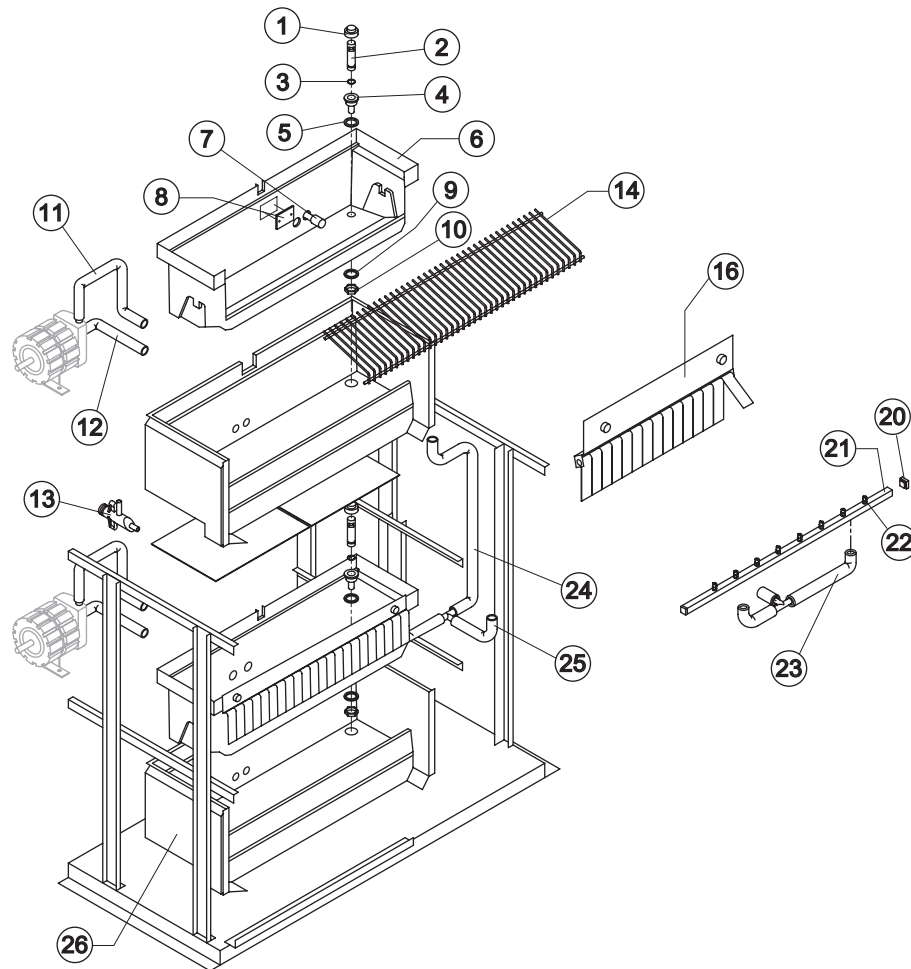




C 300

1st Version Till s/n.144813

HYDRAULIC CIRCUIT



Common Parts

Ref.	Spare Description	Code
1	Overflow Cap	10305
2	Overflow Pipe	10133
3	OR Gasket for Overflow Pipe	20233
4	Water Outlet Nipple	10007
5	Silicone Gasket	13006
6	Inner Basin	10055
7	Pump Suction Filter	20005
8	Slide Keep Plate	10009
9	Semirigid Polyethylene Gasket	13007
10	Bin Discharge Nut	10096
11	Pump Delivery Pipe	13046
12	Pump Suction Pipe	13047
14	Ice Cubes Slide	See Table
16	Flags Support Assy	C22134
20	Sprayers Bar Plug	10012
21	Sprayers Bar Assembly	See Table
22	Sprayer	D20002
23	Sprayers Bar Pipe Connection	C13036
24	Water Discharge Pipe (Upper Bin)	13048
25	Water Discharge Pipe (Lower Bin)	13049
26	Foamed Basin	C11067

Parts for Air-Cooled Version Only

Ref.	Spare Description	Code
13	Discharges Manifold	10006

Parts for Water-Cooled Version Only

Ref.	Spare Description	Code
13	Discharges Manifold	C10051

Ref. 14 - Ice Cubes Slide

Kind of Cube	Code
18 g. (Standard)	D12022
33 g.	D12033
13 g.	D12040

Ref. 21 - Sprayers Bar Ass.

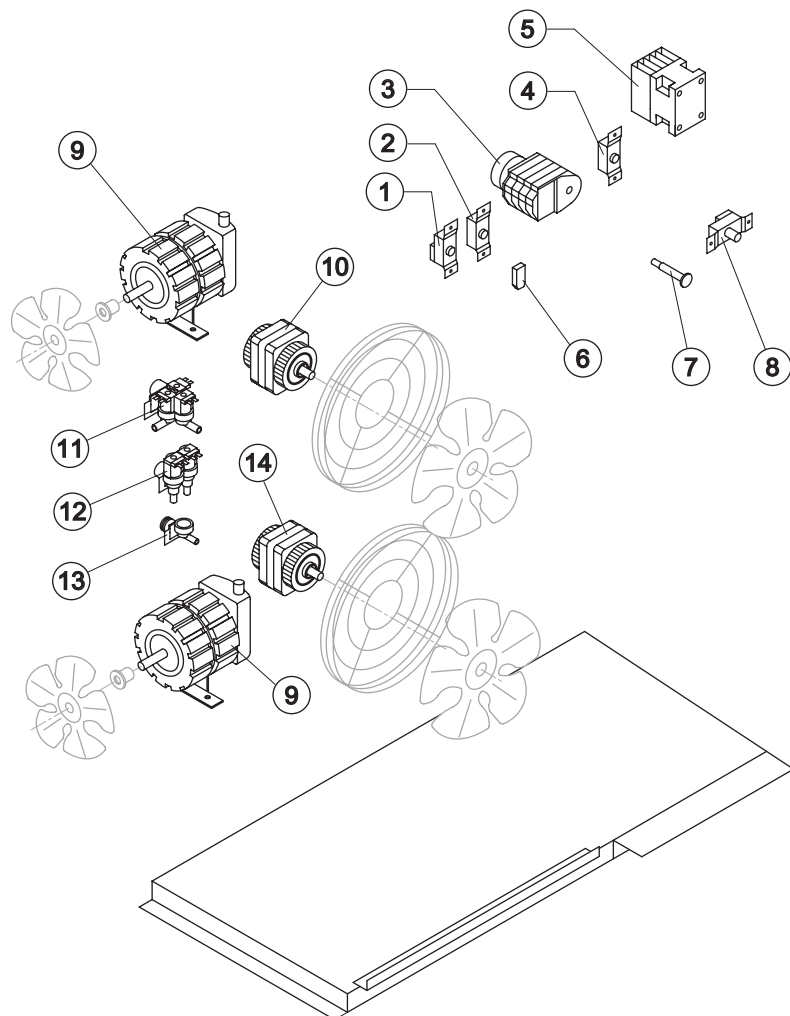
Kind of Cube	Code
18 g. (Standard)	C20144
33 g.	C20157
13 g.	C20200



C 300

1st Version Till s/n.144813

ELECTRIC PARTS



Common Parts

Ref.	Spare Description	Code
1	Bin Thermostat	R23421
2	Evaporator Thermostat	R23591
3	Timer	See Table
5	Contactor	23147
7	Orange Light	23100
8	Safety Pressure Switch	23342
9	Pump Assy	C23068
12	2 Ways- Water Inlet Valve	23157
15	Hot Gas Valve Coil	23091
16	Hot Gas Valve Body	20409

Parts for Air-Cooled Version Only

Ref.	Spare Description	Code
4	Condenser Pressure Switch	23175
6	Anti Radio Interference Filter	Only 220V 50 Hz, 230V 3 50 Hz, 400V 3N 50 Hz
10	Lower Fan Motor	23121
14	Lower Fan Motor	See Table

Parts for Water-Cooled Version Only

Ref.	Spare Description	Code
11	Inlet Watervlve 3 Ways	Till s/n. 118439
13	Inlet Water Nipple 1 Way	10239

Ref. 3 - Timer

Tension	18g Cube	33g Cube	13g Cube
220/240V 50 Hz	23247	23248	23247
220/230V 60 Hz	23222	23396	23247
230V 3 50 Hz	23247	23248	23247
400V 3N 50 Hz	23247	23248	23247
220/230V 3 60 Hz	23222	23396	23247

Ref. 14 - Lower Fan Motor

Tension	Code
220/240V 50 Hz	23067
220/230V 60 Hz	23681
230V 3 50 Hz	23067
400V 3N 50 Hz	23067
220/230V 3 60 Hz	23681

Rev. 8 - 10/09/2010