



TM 140

LIST OF THE EXPLODED VIEWS



SHELL ASSY

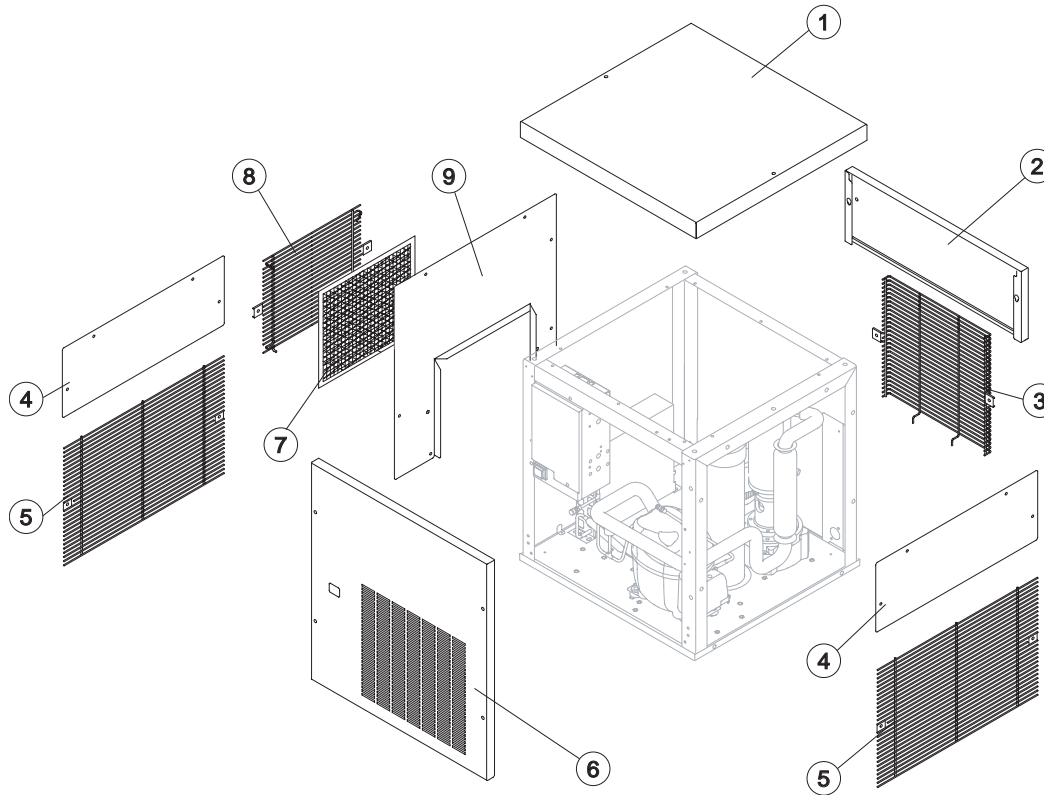
COOLING SYSTEM

EVAPORATOR

HYDRAULIC CIRCUIT

ELECTRIC PARTS

Rev. 0 - 13/01/2014



Rev. 0 - 13/01/2014

Common Parts

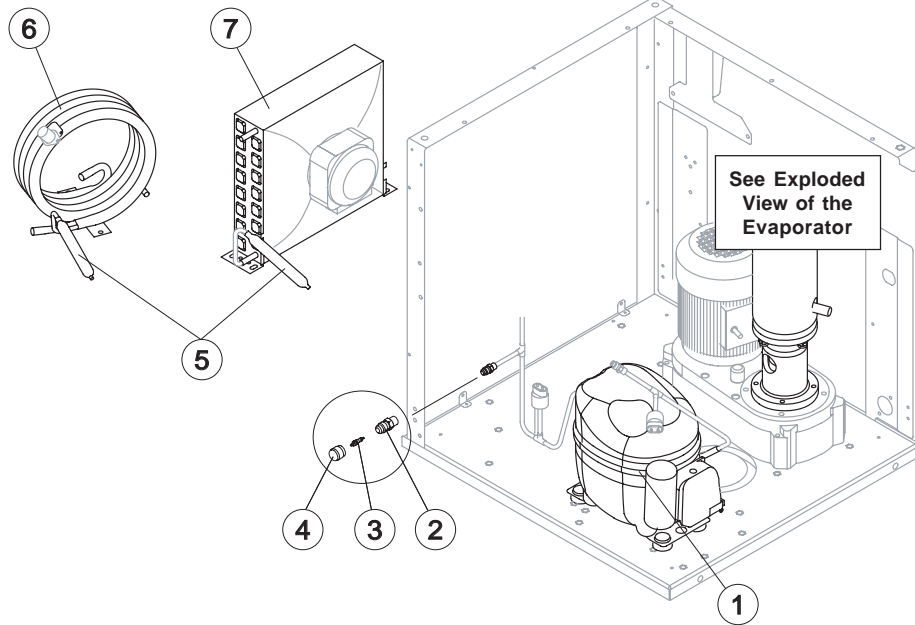
Ref.	Spare Description	Code
1	Top	221518
2	Back Panel	221514
3	Back Grill	D12091
4	Right Side Panel	221516
5	Right Side Grill	D12092
6	Front Panel	221512

Parts for Air-Cooled Version Only

Ref.	Spare Description	Code
7*	Filter	18247
8	Left Side Grill	D12094
9	Left Side Panel	221520

Parts for Water-Cooled Version Only

Ref.	Spare Description	Code
10	Left Side Panel	221516
11	Left Side Grill	D12092



Common Parts

Ref.	Spare Description	Code
1	Compressor	See Table
2	Vacuum-Charge Valve Body	14007
3*	Vacuum-Charge Valve Device	14005
4*	Vacuum-Charge Valve Plug	14006
5*	Molecular Drier	14009

Parts for Air-Cooled Version Only

Ref.	Spare Description	Code
7	Air Condenser	20558

Parts for Water-Cooled Version Only

Ref.	Spare Description	Code
6	Water Condenser	14014

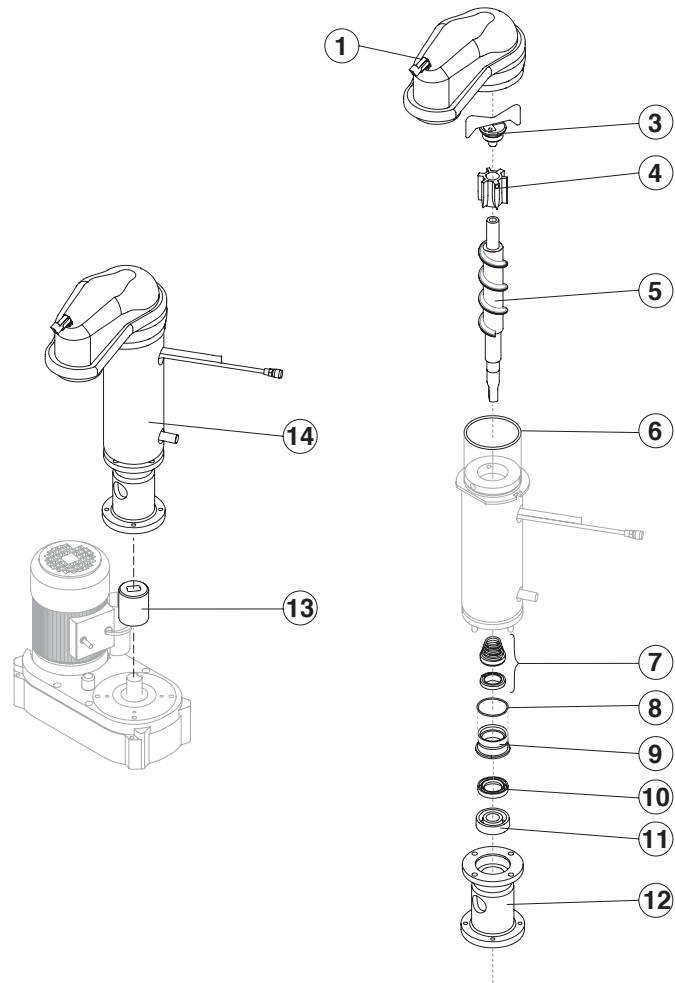
Rif. 1 - Compressor

Voltage	Code
T11	23832
T12	23578A

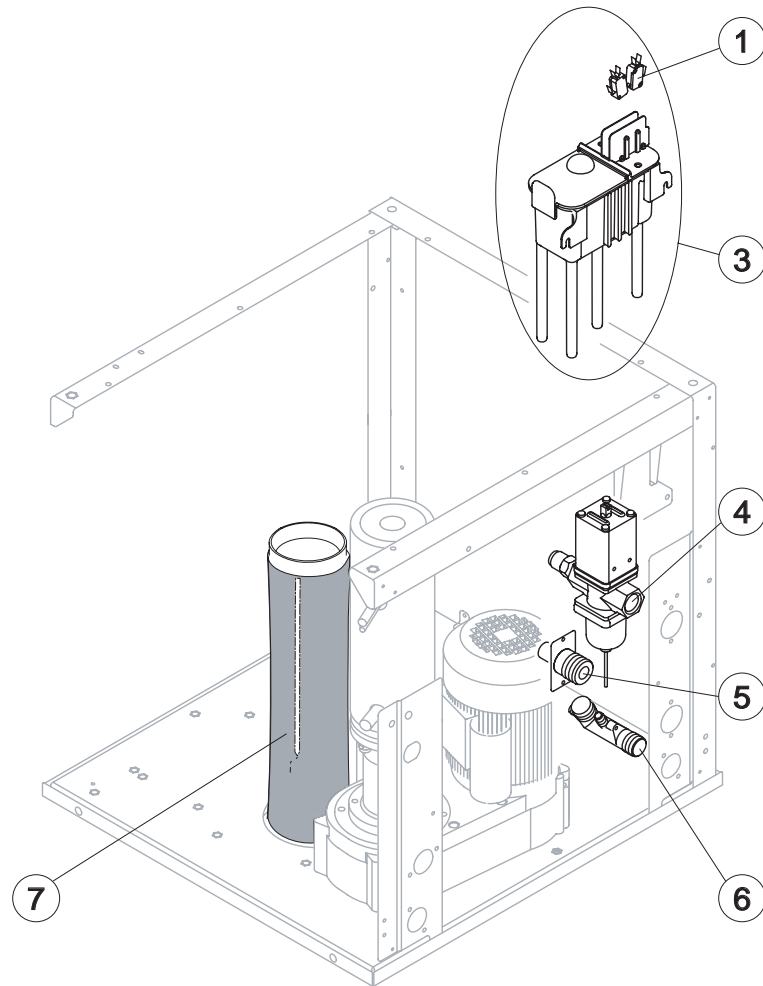


TM 140

EVAPORATOR



Ref.	Spare Description	Code
1	Ice Exhaust assembly with micro	C11180
3	Ice Breaker	C201047
4	Extruder with bearings assembly	C201001
5	Auger	201000
6	OR Gasket 4325	20987
7	Water Seal	20937
8	OR Gasket 3162 NBR70	20429
9	Water seal retainer	20785
10	Seal Ring	20985
11	Bearing	20917
12	Foundation	20916
13	Joint	D20630
14	Evaporator Assy	C11178



Common Parts

Ref.	Spare Description	Code
1	Microswitch	23055
3*	Double Switch Basin Assembly	C10684
6	Discharges Manifold	10579
7	Ice Outlet Pipe with Bin Bulb Holder	C10655

Parts for Water-Cooled Version Only

Ref.	Spare Description	Code
4	Water regulating valve assembly	C20967
5	Drain manifold	20984

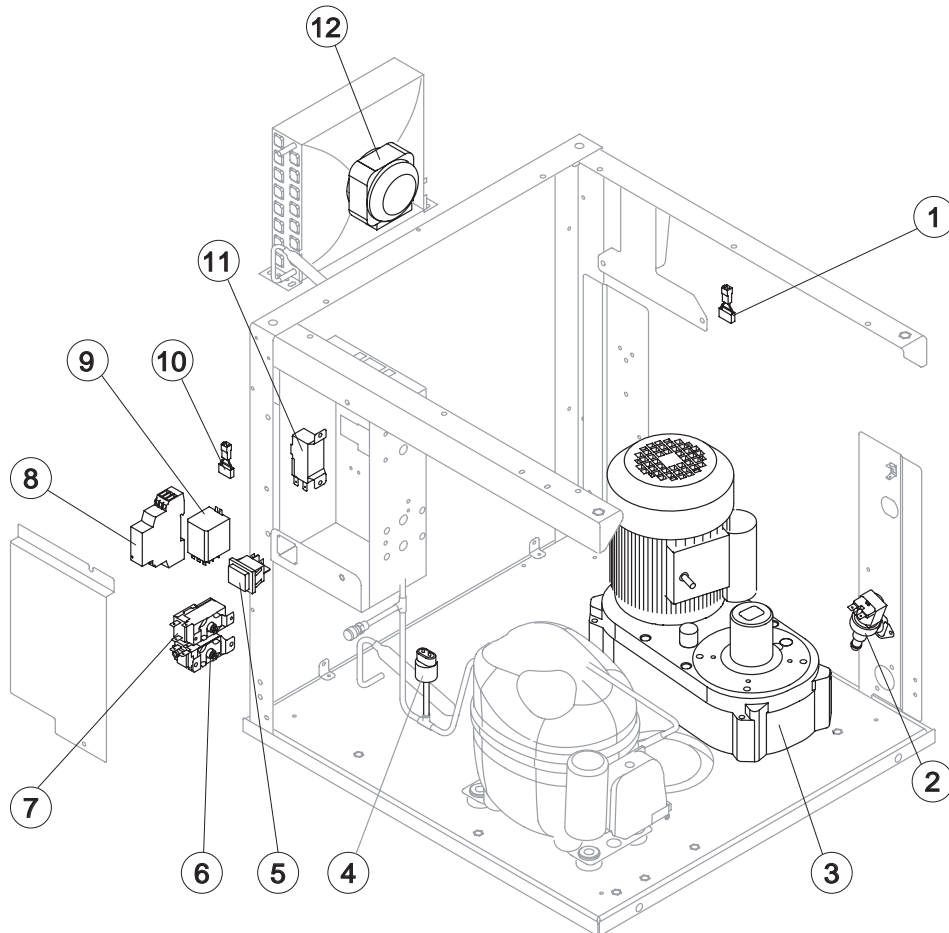


Common Parts

Ref.	Spare Description	Code
1	Anti Radio Interference Filter	T11
2*	1 Way- Water Inlet Valve	23115
3	Gearmotor	231030
4	Evaporator pressure switch	23909
5*	Green Light Switch (On-Off)	23327
6*	Evaporator Thermostat	R23591
7*	Bin Thermostat	R231035
8*	Electronic Timer	231033
9*	Relay	23190

Parts for Air-Cooled Version Only

Ref.	Spare Description	Code
10	Anti Radio Interference Filter	T11
11*	Condenser Pressure Switch	23175
12*	Fan Motor with Conveyor	231006



Rev. 0 - 13/01/2014