

# G 1000 Split - G 1400 Split CO<sub>2</sub>



## G Split: Automatic granular ice flakers without refrigerating unit.

Automatic granular ice flakers without refrigerating unit.

Inner and outer structure made entirely of 18/8 stainless steel. Compact ice granules for various uses in restaurants, fish shops, self-service restaurants and various industries. Modular models, without any internal ice collection trays, must be combined with a Bin collection tray (available in several models).

## G Split: produttori automatici di ghiaccio a scaglie granulari senza unità frigorifera.

Struttura interna ed esterna interamente in acciaio inox 18/8.

Ghiaccio a granuli compatti, per i diversi impieghi in ristoranti, pescherie, self-service ed industrie. Modelli modulari, senza deposito interno di raccolta ghiaccio, occorre abbinarli ad un contenitore di raccolta Bin (disponibile in diversi modelli).



G 1000 Split  
G 1400 Split CO<sub>2</sub>

---

---

---

---

---

---

---

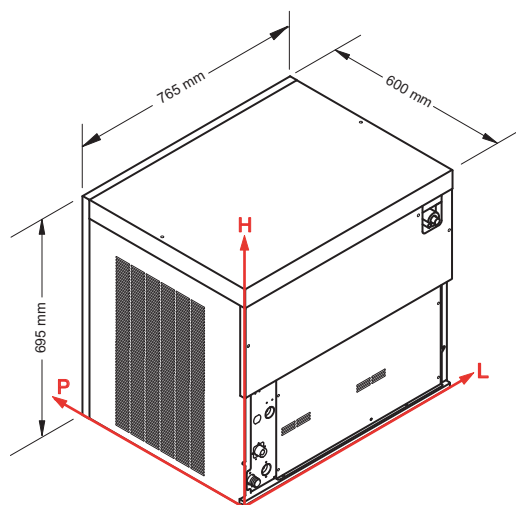
---

---

---



# G 1000 Split - G 1400 Split CO<sub>2</sub>



**G 1000 Split**  
**G 1400 Split CO<sub>2</sub>**

CONNECTIONS / CONNESSIONI	G 1000 Split		G 1400 Split CO <sub>2</sub>
	L	H	Ø
① Ice production water inlet / Ingresso acqua produz. ghiaccio	71	140	3/4"
② Water outlet / Scarico acqua	44	60	24 mm
③ Remote Connection / Collegamento remoto	111	240	-
④ Electrical connection / Connessione elettrica	67	240	-
⑤ Refrigerant feeding pipe / Tubo alimentazione refrigerante	-	-	-
⑥ Outlet pipe of gaseous refrigerant / Tubo uscita refrigerante gas	-	-	-

TECHNICAL INFORMATION / DATI TECNICI	G 1000 Split	G 1400 Split CO <sub>2</sub>
Production in 24 h / Produzione in 24 h	1000 kg	1400 kg
Refrigerant / Refrigerante	R404A - R507	CO <sub>2</sub>
Usable Bin / Bin utilizzabile	Bin 550 VDS - DRB 500-1200	
Standard voltage / Voltaggio standard	220-240 V ~ 50 Hz	
Electrical consumption / Consumo elettrico	350 W	
Water consumption / Consumo acqua [ l/kg ]	1	
Refrigerating capacity / Potenza frigorifera	4600W (evap. temp. -18°C)	4600W (evap. temp. -18°C)
Sizes (WxDxH) / Dimensioni [ LxPxH ]	765x600x695 mm	
Sizes with packing (WxDxH) / Dimensioni con imballo [ LxPxH ]	860x690x890 mm	
Weight (net/gross) / Peso [ netto/lordo ]	118/132 kg	

Finishing 18/8 stainless steel, scotch brite / Finitura acciaio inox 18/8, scotch brite

INSTALLATION CONDITIONS / CONDIZIONI D'INSTALLAZIONE	Min / Max
Installation / Installazione	indoor / interna
Ambient temperature / Temperatura ambiente	+10 / +43 °C
Water temperature / Temperatura acqua	+3 / +32 °C
Voltage / Voltaggio	± 10%
Water inlet pressure / Pressione dell'acqua in ingresso	1bar (14psi) / 6bar (84psi)

CONDITIONS / CONDIZIONI	
Water temperature / Temperatura acqua	+15°C
Electrical consumption at +43°C (standard voltage) / Consumo elettrico a +43°C (voltaggio standard)	