

# M 350·600·800 Split - M 600·1000 Split CO<sub>2</sub>



**Split: automatic ice maker producing subcooled flat ice flakes without refrigerating unit suitable for baking, fishing, meat processing, dairy and chemical industries.**

Ice flakes with an ideal thickness for all uses in the sectors for which it was designed, with a high refrigerating power (temperature from -5°C to -10°C). Can be combined with the one of the ice collection trays.

**Split: produttori automatici di ghiaccio a scaglie piatte sottoraffreddate senza unità frigorifera, adatti alle industrie panificatrici, ittiche, lavorazione delle carni, lattiero casearie e chimiche.**

Ghiaccio a scaglie piatte, di spessore ideale per tutti gli usi dei settori ai quali è destinato, ad alto potere refrigerante (temperatura da -5°C a -10°C). Possibile abbinamento ai contenitori di raccolta ghiaccio.



M 350 Split



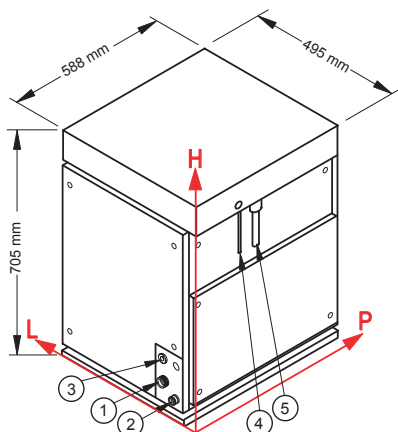
M Split 600  
M 600 Split CO<sub>2</sub>



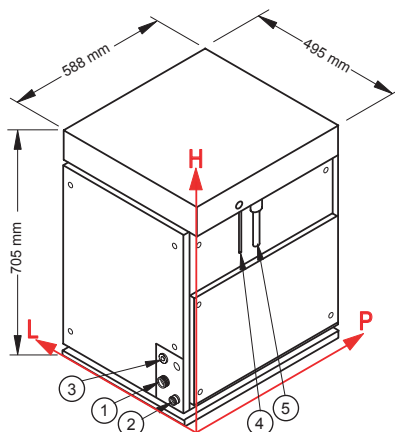
M Split 800  
M 1000 Split CO<sub>2</sub>



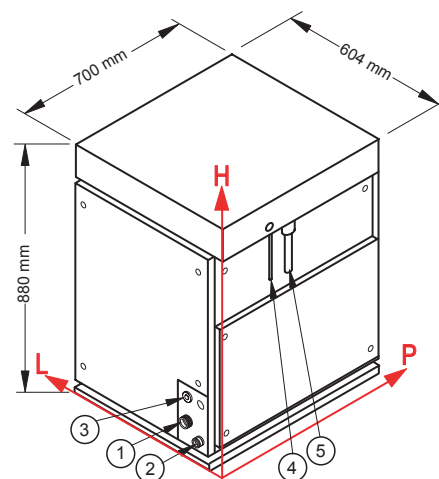
# M 350-600-800 Split - M 600-1000 Split CO<sub>2</sub>



**M 350 Split**



**M 600 Split  
M 600 Split CO<sub>2</sub>**



**M 800 Split  
M 1000 Split CO<sub>2</sub>**

| CONNECTIONS / CONNESSIONI   | M 350 Split |     |       | M 600 Split |     |       | M 600 Split CO <sub>2</sub> |     |       | M 800 Split |     |       | M 1000 Split CO <sub>2</sub> |     |       |
|---|-------------|-----|-------|-------------|-----|-------|-----------------------------|-----|-------|-------------|-----|-------|------------------------------|-----|-------|
|   | L           | H   | Ø     | L           | H   | Ø     | L                           | H   | Ø     | L           | H   | Ø     | L                            | H   | Ø     |
| ① Ice production water inlet / Ingresso acqua produz. ghiaccio      | 118         | 115 | 3/4"  | 118         | 115 | 3/4"  | 123                         | 120 | 3/4"  | 123         | 120 | 3/4"  | 123                          | 120 | 3/4"  |
| ② Water outlet / Scarico acqua                                      | 68          | 60  | 24 mm | 68          | 60  | 24 mm | 68                          | 60  | 24 mm | 78          | 65  | 24 mm | 78                           | 65  | 24 mm |
| ③ Electrical connection / Connessione elettrica                     | 118         | 199 | -     | 118         | 199 | -     | 118                         | 199 | -     | 123         | 204 | -     | 123                          | 204 | -     |
| ④ Refrigerant feeding pipe / Tubo alimentazione refrigerante        | -           | -   | -     | -           | -   | -     | -                           | -   | -     | -           | -   | -     | -                            | -   | -     |
| ⑤ Outlet pipe of gaseous refrigerant / Tubo uscita refrigerante gas | -           | -   | -     | -           | -   | -     | -                           | -   | -     | -           | -   | -     | -                            | -   | -     |

| TECHNICAL INFORMATION / DATI TECNICI                          | M 350 Split                      | M 600 Split  | M 600 Split CO <sub>2</sub> | M 800 Split                        | M 1000 Split CO <sub>2</sub> |
|---|----------------------------------|--|-----------------------------|------------------------------------|------------------------------|
| Production in 24 h / Produzione in 24 h                       | 400 kg                           | 620 kg   | 620 kg                      | 900 kg                             | 1040 kg                      |
| Refrigerant / Refrigerante                                    | R404A - R507                     | R404A - R507   | CO <sub>2</sub>             | R404A - R507                       | CO <sub>2</sub>              |
| Usable Bin / Bin utilizzabile                                 | Bin 350 - Bin 550 V DS - DRB 100 | Bin 350 - Bin 550 V DS<br>DRB 100 - DRB 500 - DRB 1200 |                             | Bin 550 V DS<br>DRB 500 - DRB 1200 |                              |
| Standard voltage / Voltaggio standard                         | 220-240 V ~ 50 Hz                | 220-240 V ~ 50 Hz                                      |                             | 220-240 V ~ 50 Hz                  |                              |
| Electrical consumption / Consumo elettrico                    | 180 W                            | 180 W  |                             | 180 W                              |                              |
| Refrigerating capacity / Potenza frigorifera                  | 2200 W (evap. temp. -23°C)       | 3500 W (evap. temp. -22°C)                             | 3500 W (evap. temp. -23°C)  | 5000 W (evap. temp. -23°C)         | 5000 W (evap. temp. -23°C)   |
| Sizes (WxDxH) / Dimensioni [ LxPxH ]                          | 495x588x705 mm                   | 495x588x705 mm   |                             | 604x700x880 mm                     |                              |
| Sizes with packing (WxDxH) / Dimensioni con imballo [ LxPxH ] | 550x655x900 mm                   | 550x655x900 mm   |                             | 655x785x1055 mm                    |                              |
| Weight (net/gross) / Peso [ netto/lordo ]                     | 66/82 kg                         | 73/89 kg   |                             | 138/153 kg                         |                              |

Finishing 18/8 stainless steel, scotch brite / Finitura acciaio inox 18/8, scotch brite

| INSTALLATION CONDITIONS / CONDIZIONI D'INSTALLAZIONE    | Min / Max                   |
|---|-----------------------------|
| Installation / Installazione                            | indoor / interna            |
| Ambient temperature / Temperatura ambiente              | +5 / +43 °C                 |
| Water temperature / Temperatura acqua                   | +5 / +35 °C                 |
| Voltage / Voltaggio                                     | ± 10%                       |
| Water inlet pressure / Pressione dell'acqua in ingresso | 1bar (14psi) / 6bar (84psi) |

| CONDITIONS / CONDIZIONI   |       |
|---|-------|
| Water temperature / Temperatura acqua   | +15°C |
| Electrical consumption at +43°C (standard voltage) / Consumo elettrico a +43°C (voltaggio standard) |       |